

HERITAGE POLES

Specifications:

Shaft: All shafts are seamlessly extruded from all-new 6063 alloy aluminum tubing. The shaft's graceful 5" x 3" taper and decorative profile is digitally-controlled. Four standard profiles are available. Shafts include a 6" long 2-7/8" O.D. tenon at the top to accommodate the luminaire's tenon fitter or the center hub of a spoked arm bracket.

Handhole: A reinforced, covered handhole with an elliptical unobstructed opening of 2-1/2" x 4" is provided near the anchor base.

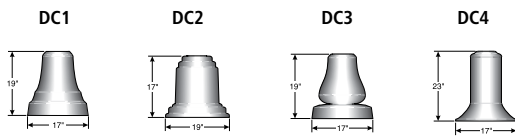
Anchor base: Each Heritage Series Pole includes a cast aluminum (A356 alloy) four-bolt anchor base. The shaft is inserted into the anchor base and the two components are permanently joined together with continuous circumferential welds at the top and bottom of the anchor base. A grounding lug is welded to the shaft 1-1/2" above the anchor base opposite the handhole. The shaft/anchor base assembly is heat treated after welding to produce a T6 temper.

Collar: A choice of four ornamental collar designs is supplied to conceal the anchor base and handhole. Each collar is spun of 0.125" wall aluminum, and is grommeted to fit snugly around the shaft. The collar is held in place by three stainless steel set screws mounted in a retaining ring.

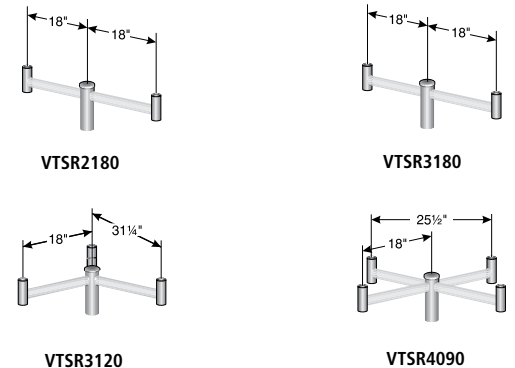
Finish: An electrostatically-applied baked polyester powder coat finish is applied over aluminum surfaces. The finish is protected with a heavy-duty polyethylene sleeve.

See Ordering Information for additional color information.

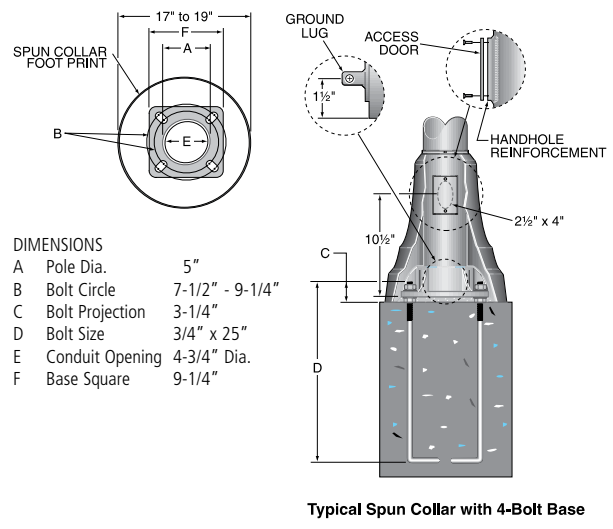
Anchor bolts: Four 3/4" diameter 10" x 25" L-shaped hot-dip galvanized steel anchor bolts are supplied with each pole, along with two nuts, two flat washers, and one lock washer for each anchor bolt.



CHOICE OF DECORATIVE BASE COVERS



OPTIONAL SPOKE ARM BRACKETS



See back page for ordering information.

HERITAGE POLES

Catalog Number	Description			Maximum EPA		
	Pole Height	Wall Thickness	Pole Weight	80 MPH	90 MPH	100 MPH
HRTA-8-5.0x3.0-.125 - (1) - (2) - (3) - (4)	7' 8"	.125"	30	11.4	9.0	7.1
HRTA-8-5.0x3.0-.188 - (1) - (2) - (3) - (4)	7' 8"	.188"	36	16.4	12.9	10.4
HRTA-10-5.0x3.0-.125 - (1) - (2) - (3) - (4)	9' 8"	.125"	33	9.3	7.3	5.8
HRTA-10-5.0x3.0-.188 - (1) - (2) - (3) - (4)	9' 8"	.188"	41	13.5	10.6	8.5
HRTA-12-5.0x3.0-.125 - (1) - (2) - (3) - (4)	11' 8"	.125"	36	7.8	6.0	4.8
HRTA-12-5.0x3.0-.188 - (1) - (2) - (3) - (4)	11' 8"	.188"	46	11.3	8.8	7.1
HRTA-14-5.0x3.0-.125 - (1) - (2) - (3) - (4)	13' 8"	.125"	39	6.2	4.6	3.5
HRTA-14-5.0x3.0-.188 - (1) - (2) - (3) - (4)	13' 8"	.188"	51	9.6	7.4	5.7
HRTA-16-5.0x3.0-.125 - (1) - (2) - (3) - (4)	15' 8"	.125"	42	4.7	3.4	2.5
HRTA-16-5.0x3.0-.188 - (1) - (2) - (3) - (4)	15' 8"	.188"	56	7.7	5.7	4.4
HRTA-18-5.0x3.0-.125 - (1) - (2) - (3) - (4)	17' 8"	.125"	45	3.5	2.4	1.6
HRTA-18-5.0x3.0-.188 - (1) - (2) - (3) - (4)	17' 8"	.188"	61	6.0	4.4	3.2

2-1/2" X 4" hand hole for all diameters (inside base).

Note: Insert appropriate code for Finish (1); Pole Profile (2); Decorative Cover (3); and Optional Spoke Arm, if required (4)

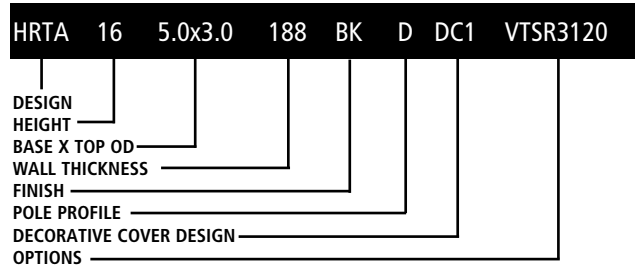
Ordering Information

ORDERING EXAMPLE:

HRTA-16-5.0X3.0-188-BK-D-DC1-VTSR3120

(Diagram at right describes sequence in this example)

This example illustrates the standard ordering sequence. Each part of the ordering number is chosen from the appropriate section in the chart. The number in the example designates a Heritage tapered aluminum pole, 16 feet high, with a 5" x 3" taper and .188" wall thickness. Finish is to be black, pole profile is Style D, and a style DC1 decorative cover is desired. The optional VTSR3120 spoke arm bracket is also desired.



REQUIRED CHOICES

FINISH



SHAFT STYLE

- A
- B
- C
- D

DECORATIVE BASE COVER

- DC-1 Decorative Base Cover - Style 1
- DC-2 Decorative Base Cover - Style 2
- DC-3 Decorative Base Cover - Style 3
- DC-4 Decorative Base Cover - Style 4

OPTIONAL CHOICES

SPOKE ARM BRACKETS

- VTSR2180 2 @ 180°
 - VTSR3180 3 @ 180°
 - VTSR3120 3 @ 120°
 - VTSR4090 4 @ 90°
- Tenon size is 2-7/8" O.D.