

**CORRIDOR**  
**WALKWAYS**  
**BUILDING ENTRANCES**  
**ACCENT**



**Specifications**



**HOUSING** Die-cast aluminum housing. Constructed to IP54.

**LENS & GASKETING** Heat and impact resistant tempered glass lens. Silicone rubber gasketing.

**OPTICAL SYSTEM** Available in three downlight distributions meeting IESNA Full Cutoff classification. Forward throw (F) or wide distribution (W) available for single lamp units in all sources. Twin lamp CF units are only available with 2D optics. An uplight/downlight optic (UD) provides additional illumination above luminaire. 86% minimum reflectivity specular anodized aluminum segmented reflector. Horizontally lamped. HID unit requires medium base ED-17 lamp. Compact fluorescent unit requires GX24q-4 lamp(s).

**MOUNTING** The luminaire shall be surface wall mount type featuring a universal mounting bracket with bubble level for accurate installation to 4" round or octagonal junction box. Stainless steel hardware.

**BALLAST** HX-HPF ballast is standard for HID sources. Optional CWA ballast may be specified in selected HID sources and wattages. CF ballast shall be electronic, high frequency, high power factor.

**FINISH** Polyester powder coat, electrostatically applied, which is preceded by a five step pre-treatment process including an iron phosphate priming stage for superior coating adhesion. This process is tested to ASTM testing requirements, including those for 1,000-hour salt spray endurance testing.

**EMERGENCY BATTERY BACKUP** All emergency luminaires feature an indicator light visible through the lens and a test switch accessible through the door assembly. In the event of a power interruption, emergency luminaires will power CF lamps at reduced light levels for a minimum of 90 minutes. Remote EBB options include a 7.5' (2.29m), 12 wire, quick disconnect assembly for wiring through conduit (by others) to either the EBBR or EBBR-C. **CAUTION:** Maximum battery pack input power for units with the EBBR-C is 100 watts (0.83 amps) when heating element is on (when temps reach 5°C / 41°F or below). This is in addition to the normal input power for luminaire lamp(s) and ballast. **Battery pack minimum ambient temperatures: EBB:** integral 0°C (32°F), **EBBR:** remote 0°C (32°F), **EBBR-C:** remote cold-pack -18°C (0°F).

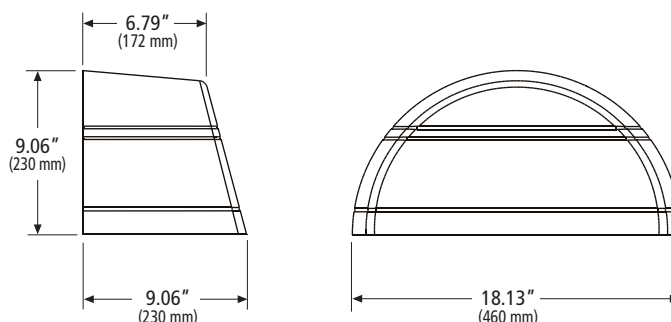
**LISTINGS** ETL Listed luminaire, per UL 1598, suitable for Wet Locations in down position only. 25°C (77°F) ambient listing.

**WARRANTY** Mechanical, finish and electrical shall be covered by a limited 1-year warranty. See terms and conditions for details.



Some luminaires use fluorescent or high intensity discharge (HID) lamps that contain small amounts of mercury. Such lamps are labeled 'Contain Mercury' and/or with the symbol 'Hg'. Lamps that contain mercury must be disposed of in accordance with local requirements. Information regarding lamp recycle and disposal can be found at [www.lamprecycle.org](http://www.lamprecycle.org).

**DIMENSIONS**



**WEIGHT**  
 19.57 lbs. (8.88 kgs)

<b>PROJECT</b>
<b>FIXTURE TYPE</b>
<b>CATALOG#</b>

Quality Lighting  
 1611 Clovis R. Barker Rd.  
 San Marcos, Texas 78666  
 Toll Free Phone (800) 545-1326 • FAX (866) 713-6002  
 www.qualitylighting.com  
 e-mail: Quality.Info@Philips.com



**ORDERING EXAMPLE** QWS4P-50-FT-120-CWA-TBK

**ORDERING INFORMATION**

SERIES / WATTAGE	DISTRIBUTION	VOLTAGE	OPTIONS	FINISH
QWS4P-50 Pulse Start Metal Halide	FT	120	CWA	TBK
QWS4P-70	WT	208	PCB	TDB
QWS4P-100 (E)	UD	240	EBB	TGR
QWS4P-150	2D	277	EBBR	TSA
		480	EBBR-C	TGN
QWS4S-50 High Pressure Sodium		UNV	F1	TWHT
QWS4S-70		QV	F2	RAL
QWS4S-100			CSR	
QWS4S-150			LQ	
			LQ1	
QWS4CF-26 Compact Fluorescent				
QWS4CF-32 Single Lamp CF Units				
QWS4CF-42				
QWS4CF-226 Twin Lamp CF Units				
QWS4CF-232				
QWS4CF-242				

SERIES / WATTAGE	DISTRIBUTION	VOLTAGE	OPTIONS	FINISH
Pulse Start Metal Halide <input type="checkbox"/> QWS4P-50 <sup>1</sup> <input type="checkbox"/> QWS4P-70 <sup>1</sup> (E) <input type="checkbox"/> QWS4P-100 <input type="checkbox"/> QWS4P-150 <sup>2</sup>	<input type="checkbox"/> FT Forward Throw <input type="checkbox"/> WT Wide Throw <input type="checkbox"/> UD Up/Down <small>Not available in units with EBB-C option.</small> <input type="checkbox"/> 2D Downlight <small>Twin lamp CF units only.</small>	<input type="checkbox"/> 120 <input type="checkbox"/> 208 <input type="checkbox"/> 240 <input type="checkbox"/> 277 <input type="checkbox"/> 480 <input type="checkbox"/> QV <small>HID units Only (120-277V) Fixture wired to 277V.</small> <input type="checkbox"/> UNV* <small>CF units Only (120-277V). May require voltage selection.</small>	<input type="checkbox"/> CWA <sup>2</sup> Low Wattage CWA Ballast <input type="checkbox"/> PCB <sup>1,*</sup> Photocell Button <input type="checkbox"/> EBB <sup>4,*</sup> Integral Emergency Battery Backup <input type="checkbox"/> EBBR Remote Emergency Battery Backup <small>One lamp is powered in emergency mode for 2D options. 120V or 277V only.</small> <input type="checkbox"/> EBBR-C <sup>3,5</sup> Remote Cold-pack Emergency Battery Backup <small>120V or 277V only.</small> <input type="checkbox"/> F1* Single Fuse (122/277V) <input type="checkbox"/> F2* Double Fuse (208/240/480V) <input type="checkbox"/> CSR Hot Quartz Restrike <small>Using a current sensing relay. Extinguishes auxiliary lamp when main arc strikes. HID units only.</small> <input type="checkbox"/> LQ Hot/Cold Quartz Restrike <small>Provides LiteMatic operation for fixtures with 120V or multi-tap ballasts. HID units only.</small> <input type="checkbox"/> LQ1 Separately Wired Quartz Restrike (120V) <small>Externally controlled emergency lighting from a separate power source. HID units only.</small>	<input type="checkbox"/> TBK Textured Black <input type="checkbox"/> TDB Textured Bronze <input type="checkbox"/> TGR Textured Gray <input type="checkbox"/> TSA Textured Satin Aluminum <input type="checkbox"/> TGN Textured Green <input type="checkbox"/> TWHT Textured White <input type="checkbox"/> RAL(*) Specify Custom RAL color number
High Pressure Sodium <input type="checkbox"/> QWS4S-50 <sup>1</sup> <input type="checkbox"/> QWS4S-70 <input type="checkbox"/> QWS4S-100 <input type="checkbox"/> QWS4S-150 <sup>2</sup>				
Compact Fluorescent Single Lamp CF Units <input type="checkbox"/> QWS4CF-26 <input type="checkbox"/> QWS4CF-32 <input type="checkbox"/> QWS4CF-42 Twin Lamp CF Units (2D, UD only) <input type="checkbox"/> QWS4CF-226 (2 x 26W) <input type="checkbox"/> QWS4CF-232 (2 x 32W) <input type="checkbox"/> QWS4CF-242 (2 x 42W)				

- NOTES:**
- 1) Not Available in 480V.
  - 2) Optional CWA ballast available in 150 watt units only. 150 watt PSMH CWA ballast not available in 480V. 150 watt HPS CWA ballast not available in 208/240V or QV.
  - 3) Two lamps are powered in emergency mode for 2x26 and 2x32 options. One lamp is powered in emergency mode for 2x42 option.
  - 4) Available with single lamp CF units only. 120V or 277V only.
  - 5) Available for operation to -18°C (0°F).

**EBB AVAILABILITY**

CF Wattage	750 Lumens EBB	1250 Lumens EBBR	1300 Lumens EBBR-C
26	✓	✓	✓
2 x 26		✓	✓*
32	✓	✓	✓
2 x 32		✓	✓*
42	✓	✓	✓
2 x 42		✓	✓

\* 1250 Lumen Package In Emergency Mode

Variations may exist depending upon the interpretation of codes in your area. Consult factory for other wiring options.

\* Voltage must be specified with fusing, photocell and integral EBB options.