

MWS4 Series

Wall Mounted Luminaires



Wall Mounted
Luminaires for...

Corridors

Walkways

Building Entrances

Accent

METROLUXTM

Roadway Lighting Solutions

MWS4 Series

Building Mounted Luminaires



ORDERING INFORMATION

SERIES / WATTAGE	DISTRIBUTION	VOLTAGE	OPTIONS	FINISH
MWS4P-50 Pulse Start Metal Halide	FT	120	CWA	TBK
MWS4P-70	WT	208	PCB	TDB
MWS4P-100 ^(E)	UD	240	EBB	TGR
MWS4P-150	2D	277	EBBR	TSA
MWS4S-50 High Pressure Sodium		480	EBBR-C	TGN
MWS4S-70		UNV	F1	TWHT
MWS4S-100		QV	F2	RAL
MWS4S-150			CSR	
			LQ	
			LQ1	
MWS4CF-26 Compact Fluorescent				
MWS4CF-32 Single Lamp CF Units				
MWS4CF-42				
MWS4CF-226 Twin Lamp CF Units				
MWS4CF-232				
MWS4CF-242				

SERIES / WATTAGE	DISTRIBUTION	VOLTAGE	OPTIONS	FINISH
Pulse Start Metal Halide	<input type="checkbox"/> FT Forward Throw	<input type="checkbox"/> 120	<input type="checkbox"/> CWA ² Low Wattage CWA Ballast	<input type="checkbox"/> TBK Textured Black
<input type="checkbox"/> MWS4P-50 ¹	<input type="checkbox"/> WT Wide Throw	<input type="checkbox"/> 208	<input type="checkbox"/> PCB ^{1,*} Photocell Button	<input type="checkbox"/> TDB Textured Bronze
<input type="checkbox"/> MWS4P-70 ¹ ^(E)	<input type="checkbox"/> UD Up/Down <small>Not available in units with EBB-C option.</small>	<input type="checkbox"/> 240	<input type="checkbox"/> EBB ^{4,*} Integral Emergency Battery Backup	<input type="checkbox"/> TGR Textured Gray
<input type="checkbox"/> MWS4P-100	<input type="checkbox"/> 2D Downlight <small>Twin lamp CF units only.</small>	<input type="checkbox"/> 277	<input type="checkbox"/> EBBR Remote Emergency Battery Backup <small>One lamp is powered in emergency mode for 2D options. 120V or 277V only.</small>	<input type="checkbox"/> TSA Textured Satin Aluminum
<input type="checkbox"/> MWS4P-150 ²		<input type="checkbox"/> 480	<input type="checkbox"/> EBBR-C ^{3,5} Remote Cold-pack Emergency Battery Backup <small>120V or 277V only.</small>	<input type="checkbox"/> TGN Textured Green
High Pressure Sodium		<input type="checkbox"/> QV <small>HID units Only (120-277V) Fixture wired to 277V.</small>	<input type="checkbox"/> F1* Single Fuse (122/277V)	<input type="checkbox"/> TWHT Textured White
<input type="checkbox"/> MWS4S-50 ¹		<input type="checkbox"/> UNV* <small>CF units Only (120-277V). May require voltage selection.</small>	<input type="checkbox"/> F2* Double Fuse (208/240/480V)	<input type="checkbox"/> RAL(*) Specify Custom RAL color number
<input type="checkbox"/> MWS4S-70			<input type="checkbox"/> CSR Hot Quartz Restrike <small>Using a current sensing relay. Extinguishes auxiliary lamp when main arc strikes. HID units only.</small>	
<input type="checkbox"/> MWS4S-100			<input type="checkbox"/> LQ Hot/Cold Quartz Restrike <small>Provides LiteMatic operation for fixtures with 120V or multi-tap ballasts. HID units only.</small>	
<input type="checkbox"/> MWS4S-150 ²			<input type="checkbox"/> LQ1 Separately Wired Quartz Restrike (120V) <small>Externally controlled emergency lighting from a separate power source. HID units only.</small>	
Compact Fluorescent				
Single Lamp CF Units				
<input type="checkbox"/> MWS4CF-26				
<input type="checkbox"/> MWS4CF-32				
<input type="checkbox"/> MWS4CF-42				
Twin Lamp CF Units (2D, UD only)				
<input type="checkbox"/> MWS4CF-226 (2 x 26W)				
<input type="checkbox"/> MWS4CF-232 (2 x 32W)				
<input type="checkbox"/> MWS4CF-242 (2 x 42W)				

EBB AVAILABILITY

CF Wattage	750 Lumens EBB	1250 Lumens EBBR	1300 Lumens EBBR-C
26	✓	✓	✓
2 x 26		✓	✓*
32	✓	✓	✓
2 x 32		✓	✓*
42	✓	✓	✓
2 x 42		✓	✓

* 1250 Lumen Package In Emergency Mode

Variations may exist depending upon the interpretation of codes in your area. Consult factory for other wiring options.

* Voltage must be specified with fusing, photocell and integral EBB options.

NOTES:

- 1) Not Available in 480V.
- 2) Optional CWA ballast available in 150 watt units only. 150 watt PSMH CWA ballast not available in 480V. 150 watt HPS CWA ballast not available in 208/240V or QV.
- 3) Two lamps are powered in emergency mode for 2x26 and 2x32 options. One lamp is powered in emergency mode for 2x42 option.
- 4) Available with single lamp CF units only. 120V or 277V only.
- 5) Available for operation to -18°C (0°F).

Specifications

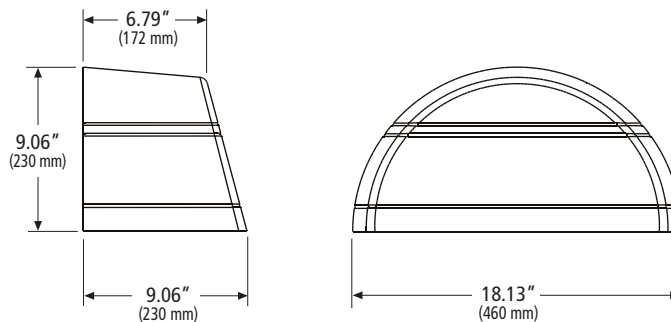


HOUSING	Die-cast aluminum housing. Constructed to IP54.
LENS & GASKETING	Heat and impact resistant tempered glass lens. Silicone rubber gasketing.
OPTICAL SYSTEM	Available in three downlight distributions meeting IESNA Full Cutoff classification. Forward throw (F) or wide distribution (W) available for single lamp units in all sources. Twin lamp CF units are only available with 2D optics. An upright/downlight optic (UD) provides additional illumination above luminaire. 86% minimum reflectivity specular anodized aluminum segmented reflector. Horizontally lamped. HID unit requires medium base ED-17 lamp. Compact fluorescent unit requires GX24q-4 lamp(s).
MOUNTING	The luminaire shall be surface wall mount type featuring a universal mounting bracket with bubble level for accurate installation to 4" round or octagonal junction box. Stainless steel hardware.
BALLAST	HX-HPF ballast is standard for HID sources. Optional CWA ballast may be specified in selected HID sources and wattages. CF ballast shall be electronic, high frequency, high power factor.
FINISH	Polyester powder coat, electrostatically applied, which is preceded by a five step pre-treatment process including an iron phosphate priming stage for superior coating adhesion. This process is tested to ASTM testing requirements, including those for 1,000-hour salt spray endurance testing.
EMERGENCY BATTERY BACKUP	All emergency luminaires feature an indicator light visible through the lens and a test switch accessible through the door assembly. In the event of a power interruption, emergency luminaires will power CF lamps at reduced light levels for a minimum of 90 minutes. Remote EBB options include a 7.5' (2.29m), 12 wire, quick disconnect assembly for wiring through conduit (by others) to either the EBBR or EBBR-C. CAUTION: Maximum battery pack input power for units with the EBBR-C is 100 watts (0.83 amps) when heating element is on (when temps reach 5°C / 41°F or below). This is in addition to the normal input power for luminaire lamp(s) and ballast. Battery pack minimum ambient temperatures: EBB: integral 0°C (32°F), EBBR: remote 0°C (32°F), EBBR-C: remote cold-pack -18°C (0°F).
LISTINGS	ETL Listed luminaire, per UL 1598, suitable for Wet Locations in down position only. 25°C (77°F) ambient listing.
WARRANTY	Mechanical, finish and electrical shall be covered by a limited 1-year warranty. See terms and conditions for details.



Some luminaires use fluorescent or high intensity discharge (HID) lamps that contain small amounts of mercury. Such lamps are labeled 'Contain Mercury' and/or with the symbol 'Hg'. Lamps that contain mercury must be disposed of in accordance with local requirements. Information regarding lamp recycle and disposal can be found at www.lamprecycle.org.

DIMENSIONS



WEIGHT
19.57 lbs. (8.88 kgs)