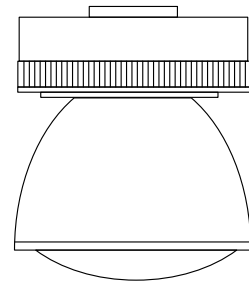


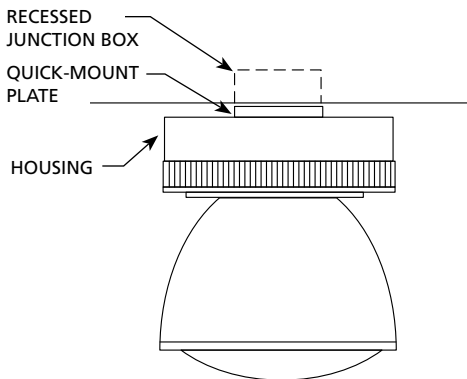
INSTALLATION SHEET

Safety, Warnings and Suggestions

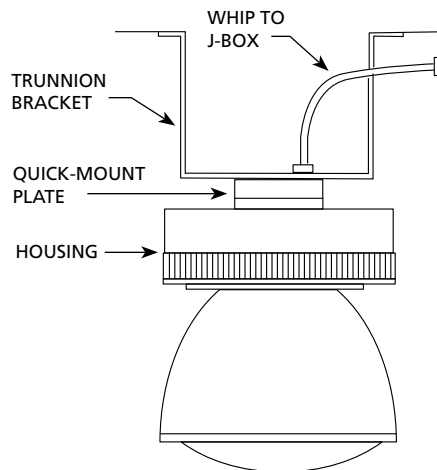
- ¹ **Care** should be taken not to position fixtures in locations where bare skin can come into contact with the potentially high temperatures on the lens.
- ² **Make** sure that electrical power is disconnected before any work is performed.
- ³ **All** gaskets and sealing surfaces must be kept clean during installation.
- ⁴ **All** wiring and installation should meet local, state and national electrical codes.
- ⁵ **Install** correct lamp type and wattage.



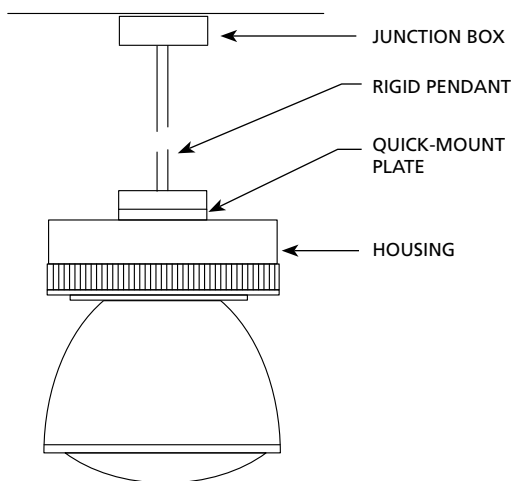
STANDARD SURFACE MOUNTING



TRUNNION MOUNTING



PENDANT MOUNTING



1. (STANDARD SURFACE MOUNTING)
 Attach the Quick-Mount plate to the junction box.

2. Make sure the lock-release lever on top of the fixture is pulled out as far as possible.

3. Swing fixture up until it contacts the Quick-Mount plate. Slide the fixture in the direction of the J-Hooks until the fixture engages the four slide hooks on the Quick-Mount plate.

4. Push the lock-release lever in until it is fully seated to lock the fixture in place.

1. (TRUNNION MOUNTING)

This mounting arrangement utilizes a U-shaped bracket to provide some distance between the garage's ceiling and the fixture.

2. After the trunnion mounting bracket has been securely mounted to the ceiling and the supplied cast J-Box is mounted to the underside of the trunnion, as shown in the illustration, install the supplied Quick-Mount plate.

1. (PENDANT MOUNTING)

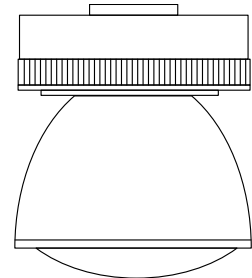
In this mounting arrangement, a vertically mounted threaded rigid conduit (supplied by others) is suspended from a junction box mounted in or on the ceiling.

2. After fishing the wires through the vertical conduit into the cast J-Box, install the supplied Quick-Mount plate.

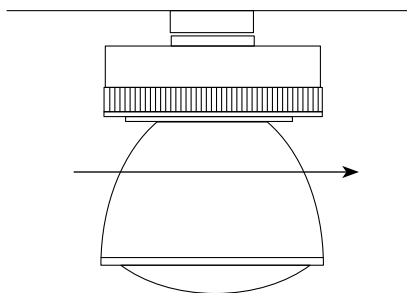
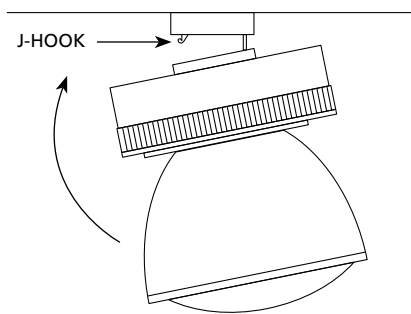
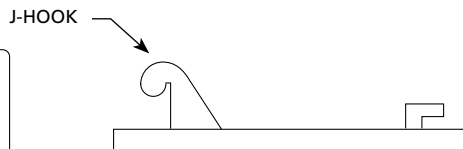
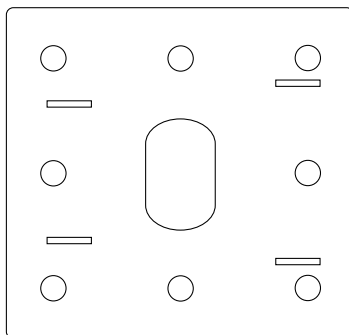
INSTALLATION SHEET

Safety, Warnings and Suggestions

- ¹ **Care** should be taken not to position fixtures in locations where bare skin can come into contact with the potentially high temperatures on the lens.
- ² **Make** sure that electrical power is disconnected before any work is performed.
- ³ **All** gaskets and sealing surfaces must be kept clean during installation.
- ⁴ **All** wiring and installation should meet local, state and national electrical codes.
- ⁵ **Install** correct lamp type and wattage.



QUICK-MOUNT PLATE



1. (MOUNTING THE QUICK-PLATE)

After bringing the wiring to the J-Box, install the supplied Quick-Mount plate on the J-Box, making sure that the supplied gaskets have been installed on each side of the plate.

2. Correct orientation for installing the Quick-Mount plate is with the J-Hooks down. Be sure to use the flathead phillips screws provided. Use of any other screws will prevent proper mounting of the fixture.

1. (HANGING THE FIXTURE)

Hang the fixture on the Quick-Mount plate's J-hooks by guiding it up until the J-hooks enter the slots in the top of the cast housing.

2. Slide the fixture a short distance in the direction of the J-Hooks until they engage the housing. The fixture can be gently lowered and allowed to hang from the J-Hooks, which will support it while it is being wired.

1. (WIRING THE FIXTURE)

Connect the black lead from the fixture to the supply black, the white lead to supply common, and the green lead to the ground green. Use appropriately sized wire nuts. Push the connections up into the junction or cast J-Box through the opening in the Quick-Mount plate.

1. (LOCKING THE FIXTURE IN PLACE)

Make sure the lock-release lever on top of the fixture is pulled out as far as possible.

2. Swing the fixture up until it contacts the Quick-Mount plate.

3. Slide the fixture in the direction of the J-hooks until the fixture engages the four slide hooks on the Quick-Mount plate. Push the lock-release lever in until it is fully seated locking the fixture in place.