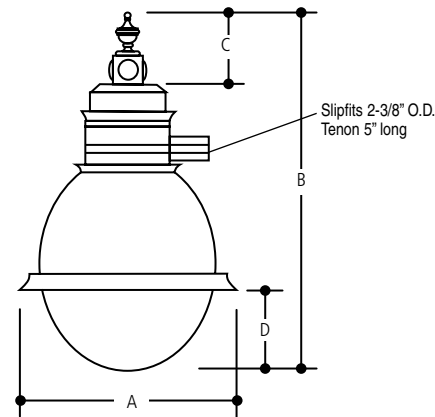


SPECIFICATIONS

- HOUSING** The one-piece housing is cast of Type 319 aluminum. The integral cast aluminum fitter slips over 2" nominal pipe and allows for $\pm 3^\circ$ leveling adjustment. The fixture is C-UL & UL listed "suitable for wet locations."
- GASKETING** A silicone-impregnated Dacron® gasket is used between the reflector and housing. Butyl-acrylic tape sealant is used between the lens and reflector.
- OPTICAL ASSEMBLY** The optical assembly consists of a one-piece 25" diameter spun aluminum reflector. The drop acrylic lens is fully gasketed to the reflector.
- ROTATABLE OPTICS** The reflector is easily rotated through 360° without the use of tools to facilitate aiming the main beam of non-symmetric distributions. Two stainless steel safety cables are provided to retain the reflector and lens when lamp replacement is necessary. Re-lamping is easily accomplished without the use of tools.
- BALLAST** All ballast components are readily-accessible from the top of the luminaire and are mounted on a single plate. CWA ballasts supplied for use with MH and HPS lamps provide $\pm 5\%$ lamp power regulation with $\pm 10\%$ variation from rated input voltage.
- FINISH** Electrostatically-applied textured baked enamel finish is applied over the aluminum ballast housing and top cap. The standard reflector finish is natural anodized aluminum.



DIMENSIONS

A	29" dia. (736.6 mm)
B	45.60" (1158 mm)
C	9.46" (240.28 mm)
D	10.60" (266.7 mm)

EFFECTIVE PROJECTED

AREA (EPA)	
1 Fixture	2.8 sq. ft. (.26M2)
2 Fixtures	5.6 sq. ft. (.53M2)

WEIGHT

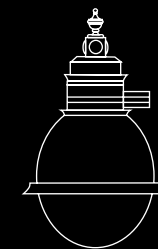
75 lbs. (34 kgs)

Quality Lighting™

Quality Lighting is a Philips group brand

2930 South Fairview Street
 Santa Ana, CA 92704
 Phone (714) 371-2394 • FAX (714) 668-1107
 Toll Free Phone (800) 545-1326
 e-mail: sales@qualitylighting.com • www.qualitylighting.com
 Specifications subject to change without notice. ©2007 Quality Lighting

Quality Lighting™



DECORATIVE/POST-TOP

DESIGN-VAC-25



DISTRIBUTIONS

- TYPE V** Symmetrical (Vert. Lamp)
- TYPE VS** Square (Vert. Lamp)
- TYPE VR** Rectangular (Vert. Lamp)

ORDERING EXAMPLE VAC-25-V-HPS-400-BK-120-T2-FD-IL45

DESIGN	DISTRIBUTION	HPS	MH/MHP	LAMP
VAC-25	V	400	400/450*	ED-18
	V			ED-37
	VS	400	ED-18	
	VR	400	ED-18	

MH = Std. Metal Halide
MHP = Pulse Start

* Available only in Pulse Start

REQUIRED CHOICES

FINISH

BK Black WH White GR Green FG Gray DB Bronze SL Silver CC Custom

VOLTAGES MOUNTING

- 120 Slipfits Over 2-3/8" O.D. Tenon (Standard)
- 208
- 240
- 277
- 347
- 480

OPTIONAL CHOICES

ELECTRICAL OPTIONS

- FD Single Fusing 120V/277V
- FDD Double Fusing 480V
- FDFD Double Fusing 208V/240V
- FDC Single Fusing 347V

LIGHT TRESPASS OPTIONS

- IL45 Internal 45° Louver Shielding
- IL75 Internal 75° Louver Shielding

PCB Button Photo Control



IL45/IL75
Internal 45° or 75°
Louver Shielding