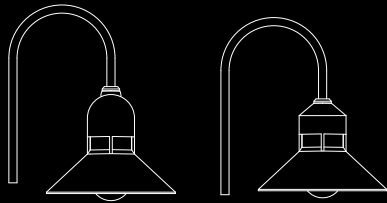


Quality Lighting™



DECORATIVE POST-TOP

AOPV Series



ORDERING EXAMPLE **FIXTURE** **MOUNTING ACCESSORY**
 AOPV24C-150-CTW-S-120-BLK AM24ISF3-BLK

SERIES/SIZE/SOURCE-WATTAGE	STYLE	DISTRIBUTION	VOLTAGE	FINISH ²	MOUNTING ACCESSORIES*	FINISH ²
AOPV21C-70	Ceramic Metal Halide	CTW	120	BLK	21" Mounting Accessories	BLK
AOPV24C-150	(E)	DTW	208	DB		24" Mounting Accessories
AOPV21P-100	Pulse Start Metal Halide		240	WHT	AM21ISF3	
AOPV24P-150	(E)		277	GN	AM21ISF4	AM24ISF4
AOPV21S-70	High Pressure Sodium			SA	AM21ESF3-2180	AM24ESF3-2180
AOPV24S-150				GR	AM21ESF3-3120	AM24ESF3-3120
AOPV21CF-13	Compact Fluorescent			RAL(*)	AM21ESF3-490	AM24ESF3-490
AOPV21CF-26					WB21	WB24
AOPV21CF-42					P(X) ³	P(X) ³

*** SELECTION REQUIRED**
 Mounting accessories must be ordered and shipped separately.

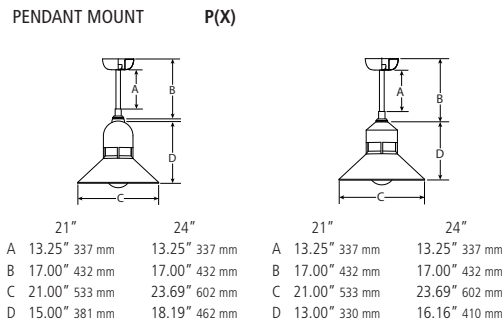
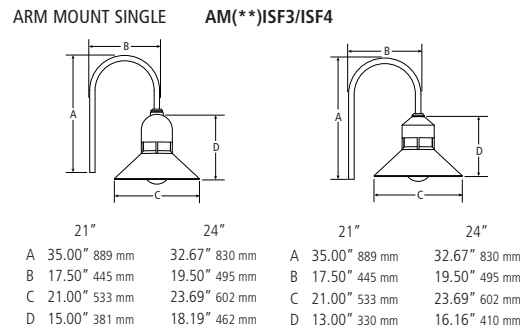
SERIES/SIZE/SOURCE-WATTAGE	STYLE	DISTRIBUTION	VOLTAGE ¹	FINISH ²	MOUNTING ACCESSORIES*
Ceramic Metal Halide	<input type="checkbox"/> CTW Conical Top Window	<input type="checkbox"/> S Symmetrical Opal Acrylic	<input type="checkbox"/> 120 <input type="checkbox"/> 208 <input type="checkbox"/> 240 <input type="checkbox"/> 277	<input type="checkbox"/> BLK Black <input type="checkbox"/> DB Dark Bronze <input type="checkbox"/> WHT White <input type="checkbox"/> GN Green <input type="checkbox"/> SA Satin Aluminum <input type="checkbox"/> GR Gray <input type="checkbox"/> RAL(*) Custom Color (*Specify RAL #)	<input type="checkbox"/> AM(**)ISF3 3" Arm Mount Standard <input type="checkbox"/> AM(**)ISF4 4" Arm Mount <input type="checkbox"/> AM(**)ESF3-2180 Pole Adaptor 2 @ 180° <input type="checkbox"/> AM(**)ESF3-3120 Pole Adaptor 3 @ 120° <input type="checkbox"/> AM(**)ESF3-490 Pole Adaptor 4 @ 90° <input type="checkbox"/> WB(**) Wall Bracket <input type="checkbox"/> P(X) ³ Pendant Mount
	<input type="checkbox"/> AOPV21C-70 (T6) (E) <input type="checkbox"/> AOPV24C-150 (T6) (E)				
Pulse Start Metal Halide	<input type="checkbox"/> AOPV21P-100 (E17) (E) <input type="checkbox"/> AOPV24P-150 (E17) (E)				
	High Pressure Sodium	<input type="checkbox"/> AOPV21S-70 (E17) <input type="checkbox"/> AOPV24S-150 (E17)			
Compact Fluorescent		<input type="checkbox"/> AOPV21CF-13 (CF) <input type="checkbox"/> AOPV21CF-26 (CFQ) <input type="checkbox"/> AOPV21CF-42 (CFT)			

NOTES

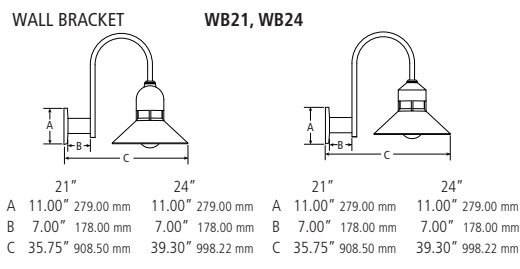
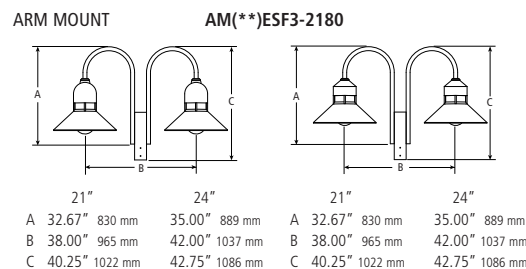
- Consult factory for other voltages.
- Baked enamel paint standard, powdercoat is available on request.
- Specify pendant length in inches (X).

(**) Specify 21" or 24" housing.
 (X) Specify pendant length in inches.
*** SELECTION REQUIRED.** Mounting accessories must be ordered and shipped separately.

MOUNTING DIMENSIONS



EPA (sq ft)	D21	D24	C21	C24
Arm Mount (single)	1.02	1.46	0.94	1.37
Arm Mount (2 @ 180)	2.60	3.48	2.44	3.30
Wall Mount	1.35	1.79	1.27	1.70
Pendant Length	1.17	1.61	0.96	1.52



WEIGHT (lbs)	D21	D24	C21	C24
Arm Mount (single)	30	50	26	42
Arm Mount (2 @ 180)	68	110	60	94
Wall Mount	36	56	32	48
Pendant Length	33	53	29	45

SPECIFICATIONS



- HOUSING** The housing shall be constructed of heavy duty cast aluminum with a minimum 0.188" wall thickness.
- SHADE** The shade shall be constructed of heavy duty cast aluminum with a minimum 0.188" wall thickness.
- MOUNTING DETAIL** The single fixture arm shall internally slip fit a 3" or 4" O.D. pole. Consult Factory for other pole sizes.
The Arm Mount (AM) brackets shall externally slip fit a 3" O.D. pole. Consult Factory for other pole sizes.
The pendant mounted option (P) is supported by an aluminum pipe 1" O.D. (specify length) with a hang straight bracket (max. 25° slope) attached with two 0.38" bolts on a 5.75" bolt circle and a canopy for mounting over a recessed 4" square junction box.
- BALLAST** The ballast shall be readily accessible, removable and insulated. The fixture is to be pre-wired and electronically tested before shipment.
- LENS** The lens shall be opal acrylic for symmetric light distribution.
- LAMP HOLDER** The standard lamp holder shall be 4KV pulse rated medium base, for HID lamp sources.
- HARDWARE** All exposed hardware shall be stainless steel.
- FINISH** Black (BLK), Dark Bronze (DB), White (WHT), Green (GN), Gray (GR) and Satin Aluminum (SA) baked enamel paint standard. Powder coat and custom colors available on request.
- CERTIFICATIONS** ETL and CETL listed for wet location. Meets IP65 standard.
- WARRANTY** Mechanical, finish and electrical shall be covered by a limited 1-year warranty. See terms and conditions for details.



Some luminaires use fluorescent or high intensity discharge (HID) lamps that contain small amounts of mercury. Such lamps are labeled 'Contain Mercury' and/or with the symbol 'Hg'. Lamps that contain mercury must be disposed of in accordance with local requirements. Information regarding lamp recycle and disposal can be found at www.lamprecycle.org.

Quality Lighting™

Quality Lighting is a Philips group brand

1611 Clovis Barker Road
San Marcos, Texas 78640
Toll Free Phone (800) 545-1326
FAX (866) 713-6002
www.qualitylighting.com
e-mail: Quality.Info@Philips.com

Quality Lighting reserves the right to change specifications and dimensions without notice. Lamp and electrical specifications / availability subject to change by manufacturer without notice. ©2009 Philips Group

PT#: QLBR0123A0809