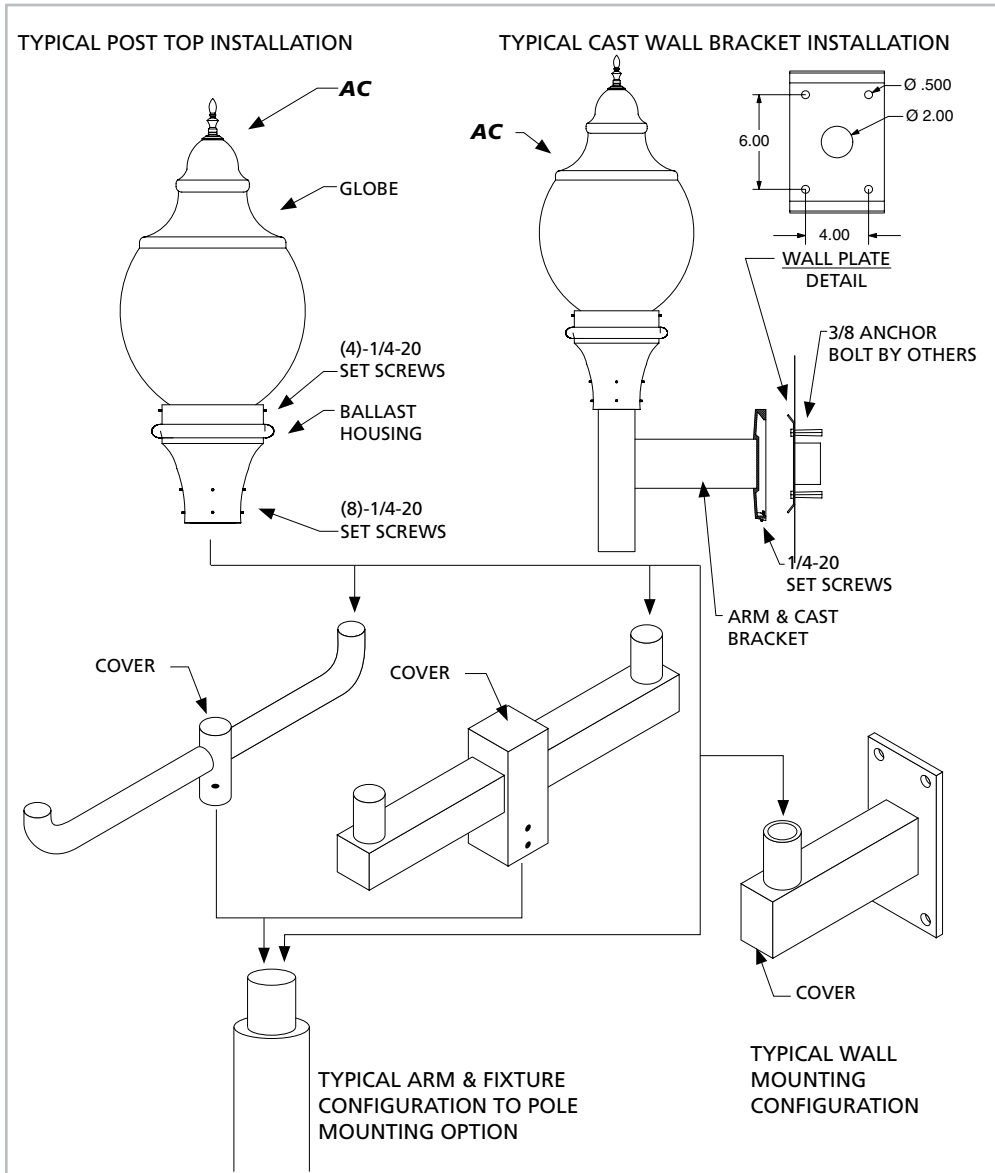
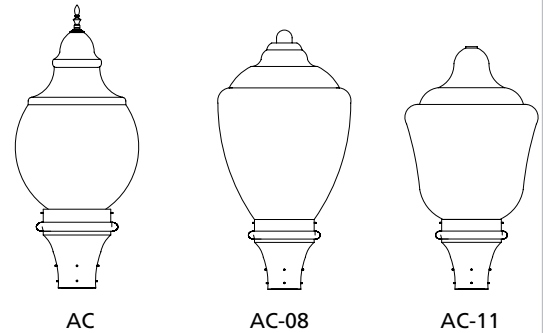


INSTALLATION SHEET

Safety, Warnings and Suggestions

- ¹ **Care** should be taken not to position fixtures in locations where bare skin can come into contact with the potentially high temperatures on the lens.
- ² **Avoid** installing fixtures in locations where water collects and stands for prolonged periods.
- ³ **Make** sure that electrical power is disconnected before any work is performed.
- ⁴ **All** gaskets and sealing surfaces must be kept clean during installation.
- ⁵ **All** wiring and installation should meet local, state and national electrical codes.
- ⁶ **Install** correct lamp type and wattage.



1. Secure the arm assembly or wall bracket as required if they are not already installed.
2. (POST TOP INSTALLATION)
Remove the fixture from the box and install to the tenon on the pole, on the arm assembly or on the wall bracket. (See step 3) Then tighten the (8)-1/4-20 set screws which are provided with the ballast housing.
- 2-A. (CAST WALL BRACKET INSTALLATION)
Remove the fixture from the box. Remove the wall plate from the arm assembly by loosening (2)-1/4-20 set screws from the bottom of the cast cover. Secure the wall plate to the wall with (4)-3/8 bolts or anchor bolts (hardware by others). (See step 3) Reinstall the unit by mounting it over the wall plate and retightening the set screws at the bottom of the cast bracket.
3. Make power and ground connections using UL approved connectors at the pole, splice connection or J-box (J-box by others).
4. (LAMP INSTALLATION)
Remove the globe diffuser by loosening (4)-1/4-20 set screws and set the globe aside. Install the correct lamp, reinstall the globe and retighten the set screws.