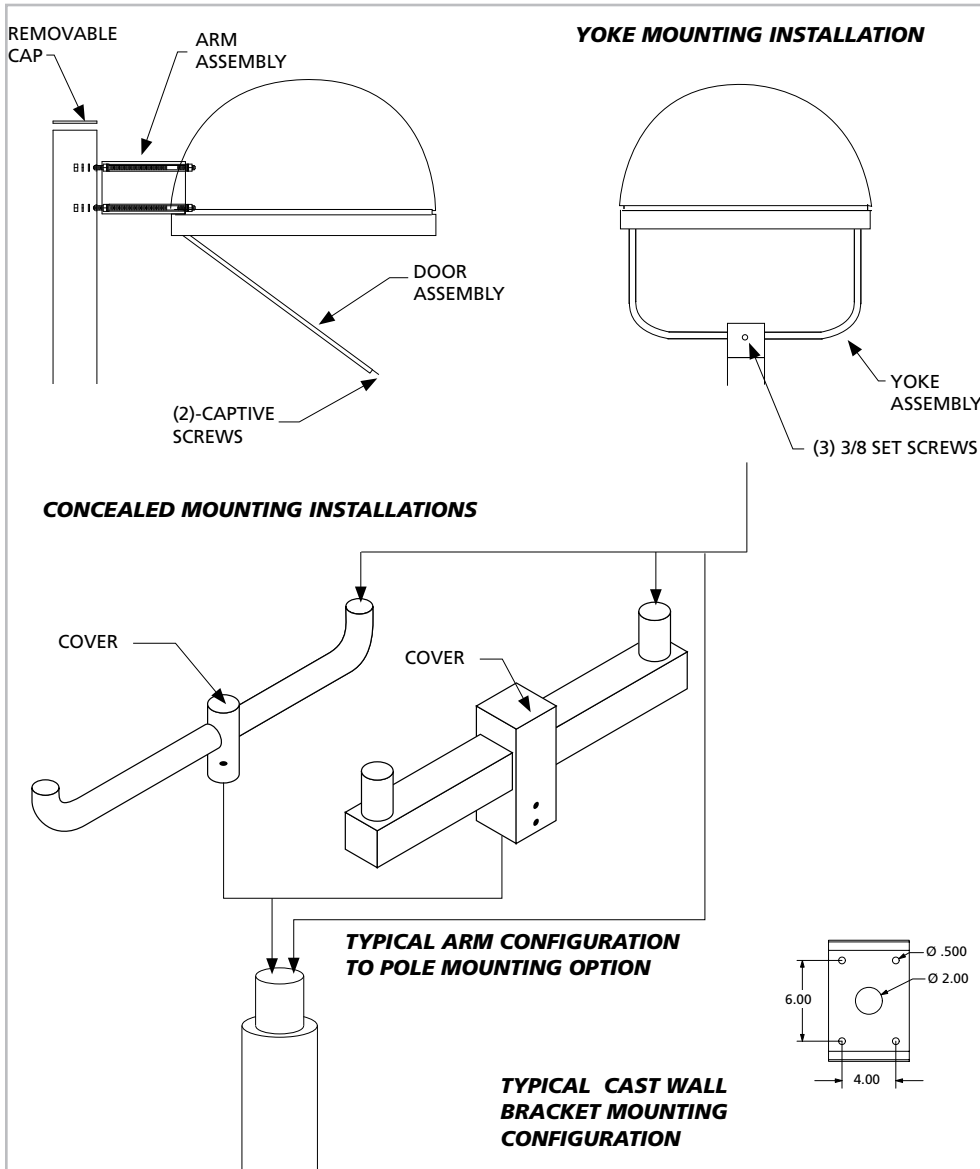
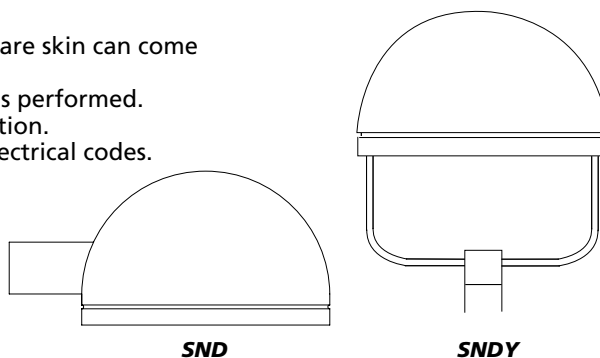


INSTALLATION SHEET

Safety, Warnings and Suggestions

- ¹ Care should be taken not to position fixtures in locations where bare skin can come into contact with the potentially high temperatures on the lens.
- ² Make sure that electrical power is disconnected before any work is performed.
- ³ All gaskets and sealing surfaces must be kept clean during installation.
- ⁴ All wiring and installation should meet local, state and national electrical codes.
- ⁵ Install correct lamp type and wattage.



1. (YOKE INSTALLATION)
Remove the fixture from the box and install to the 2 3/8 O.D. tenon on the pole or on the arm assembly.

2. (CONCEALED ARM INSTALLATION)
Remove the fixture from the box and remove (2)-3/8 hex bolts from the back of the unit throw away. Open the arm kit and install the 3/8 all -thread rods with the crimped end toward the unit, as shown on the arm detail. Apply the gasket to the unit, slide the arm over the rods and feed the wires thru. Slide the rods into the pole and tighten the nuts inside the pole using a flat washer, lock washer and nut.

3. (CAST BRACKET INSTALLATION)
Remove the fixture from the box and remove the wall plate by loosening (2)-1/4-20 set screws from the bottom of the cast cover. Secure the wall plate to the wall with (4)-3/8 bolts or anchor bolts, hardware by others. (See step 4) then reinstall the unit by mounting it over the wall plate, retighten the bottom set screws. see wall mounting detail.

4. Make power and ground connection using UL approved connectors at the yoke splice compartment, at the top of the pole section or at the J-box (J-box by others) splice as required.

5. Open the door by loosening 2-captive screws at the door. Swing the door down. Install the correct lamp then close the door, and retighten the captive screws.