

SPECIFICATIONS

Quality Lighting™

HOUSING Each domed top, reinforced housing shall be constructed of heavy gage spun aluminum. The fixture is C-UL & UL listed "suitable for wet locations".

LENS FRAME The heavy-duty cast aluminum lens frame shall be hinged to the housing with twin stainless steel hinges.

LENS The flat or convex thermal and shock resistant glass lens is sealed to the lens frame and secured with retainer clips.

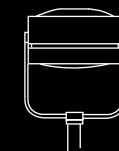
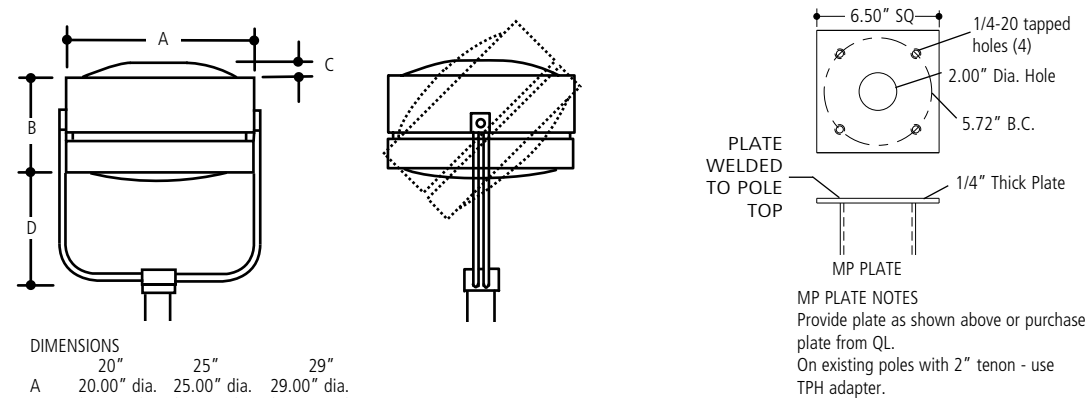
LENS AND GASKETING The lens is gasketed to the lens frame with extruded butyl acrylic tape sealant. The lens frame is gasketed to the housing's internal reinforcing ring with silicone-impregnated Dacron gasketing.

INSTALLATION Design 140 fixtures are supplied with a yoke assembly allowing the fixture to be tilted 45° to permit easy access to the reflector compartment for re-lamping, or to the ballast compartment for service. Tenon adapter bracket (TPH) is available for mounting to poles with existing tenons.

REFLECTOR Design 140 shall be available with the following reflector systems: 1) Type VS (29" only) - square distribution, vertical lamp, 16-panel reflector; 2) Type VR (25" & 29" only) - rectangular distribution, vertical lamp, 6 or 10-panel reflector; 3) Type 3 - asymmetrical distribution; 4) Type V (20" only) - symmetrical distribution, 5) Type F - Forward Throw

BALLAST All ballasts are CWA or HX-HPF type with power factor of 90% and are easily removed and supplied with quick disconnects. Ballasts are rated for -20°F. or -40°F. operation.

FINISH Polyester powder coat, electrostatically applied, which is preceded by a five step pre-treatment process including an iron phosphate priming stage for superior coating adhesion. This process meets or exceeds all ASTM testing requirements, including those for 1,000 - hour salt spray endurance testing.



AREA & ROADWAY

Quality Lighting™

Quality Lighting is a Philips group brand

2930 South Fairview Street
Santa Ana, CA 92704
Phone (714) 371-2394 • FAX (714) 668-1107
Toll Free Phone (800) 545-1326
e-mail: sales@qualitylighting.com • www.qualitylighting.com
Specifications subject to change without notice. ©2007 Quality Lighting

DESIGN-140/20/25/29



DISTRIBUTIONS

TYPE VS Square (Vert. Lamp) TYPE 3 Asymmetrical (Horiz. Lamp)
 TYPE VR Rectangular (Vert. Lamp) TYPE V Symmetrical (Vert. Lamp)
 TYPE F Forward Throw (Horiz. Lamp)

ORDERING EXAMPLE 140-25-VR-HPS-400-CL-DB-120-MP-FD-CL80x360

MH = Std. Metal Halide CL = Convex glass lens
 MHP = Pulse Start FL = Flat glass lens

DESIGN	DISTRIBUTION	HPS	H/MHP	LAMP	LENS
140-20	3	70/100/150	70/100/150/175/200*	ED-17	FL
	V	70/100/150	70/100/150/175/200*	ED-17	FL
	F	70/100/150	70/100/150/175/200*	ED-17	FL
140-25	VR/VS	250/400	250	ED-18	CL or FL
	VR/VS			ED-28	CL or FL
	VR/VS	750	400/450*	ED-37	CL or FL
	VR/VS		BT-37	CL or FL	
	3/F	250/400	250/400	ED-18	FL
	3/F			ED-28/37	FL
3/F	BT-37			FL	
140-29	VR/VS	400		ED-18	CL or FL
	VR/VS	750		BT-37	CL or FL
	VR/VS	1000		E-25	CL
	VR/VS	1000 Flat Lens		ED-37	FL
	VR/VS		400	ED-37	CL or FL
	VR/VS		1000	BT-56	CL
140-29	3/F	400		ED-18	FL
	3/F	750		BT-37	FL
	3/F	1000		E-25	FL
	3/F		400	ED-37	FL
	3/F		1000	BT-56	FL

* Available only in Pulse Start 100,150, 200, 450 MHP = Pulse Start

REQUIRED CHOICES

FINISH



VOLTAGES MOUNTINGS

120	TPH	Tenon Adapter plate
208		(Slipfits 2-3/8" to 2-7/8" Pipe Tenon)
240	MP	Mounting Plate (Weld to pole) see detail
277		
347		
480		

OPTIONAL CHOICES

ELECTRICAL OPTIONS		OPTICAL OPTIONS	LIGHT TRESPASS OPTIONS
FD	Single Fusing 120V/277V	LX Vandal Resistant Lens (20" & 25" only, 400 W max)	CL80x360 Internal 80° Vert. x 360° Horiz. Lens Shielding
FDD	Double Fusing 480V		CL60x135 Internal 60° Vert. x 135° Horiz. Lens Shielding
FDFD	Double Fusing 208V/240V		HSS House Side Shield (75° Standard) (External)
FDC	Single Fusing 347V		FL Flat clear glass lens (see ordering information for availability)
PCT	Photo Cell and Receptacle		



TPH



CL80x360 - Internal 80° Vert. x 360° Horiz. Lens Shielding



CL60x135 - Internal 60° Vert. x 135° Horiz. Lens Shielding