

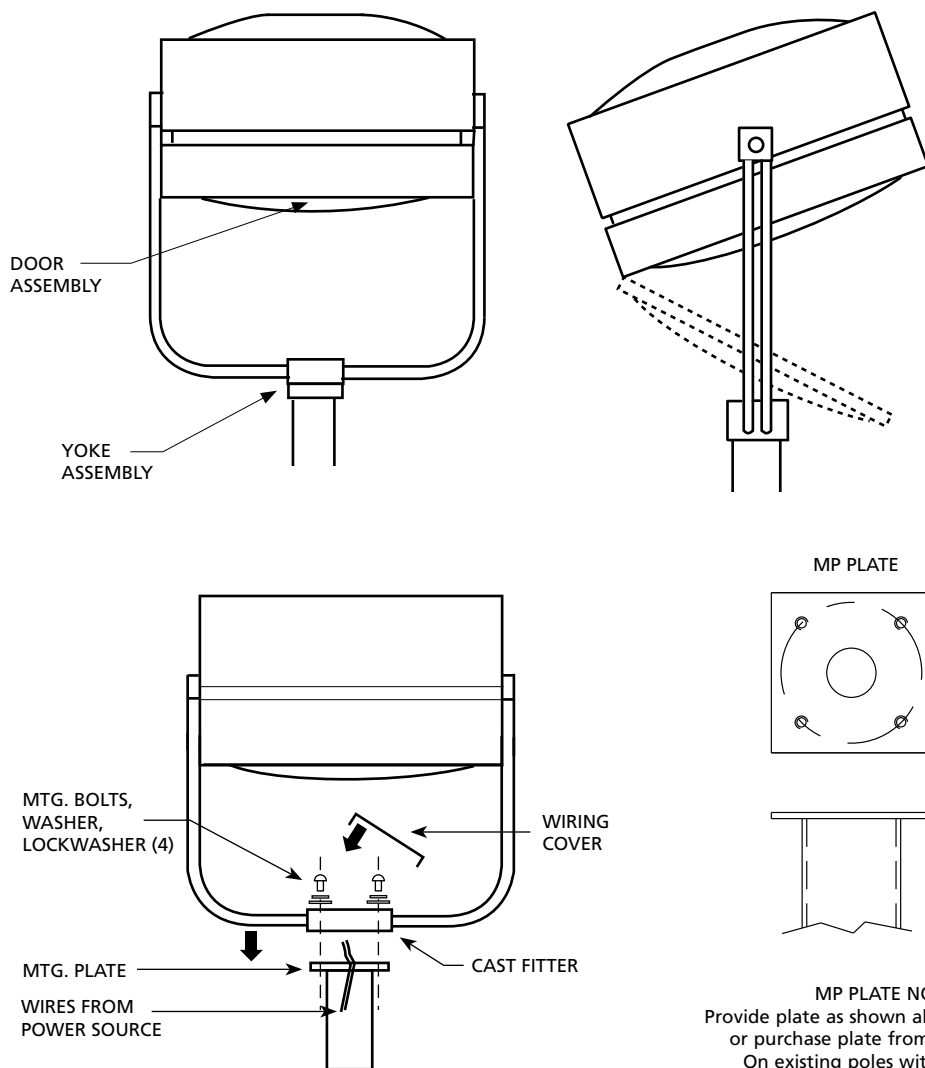
INSTALLATION SHEET

Safety Warnings

1. All electrical power must be disconnected before any work is performed.
2. All installation and wiring must meet local, state and national electrical codes.
3. Proper grounding is required to insure personal safety.
4. Due to potentially high temperatures on the lens - avoid mounting locations where contact to bare skin is possible.
5. Keep all gaskets and sealing surfaces clean during installation.
6. Install proper lamp type and wattage.

Note:

These instructions are for general conditions and are not intended to cover all situations.



INSTALLATION IN UPRIGHT POSITION

1. Lay pole on padded supports to protect pole finish.
2. Loosen 1/2 - 13 socket head screws on side of yoke and tilt fixture.
3. Mount fixture to top plate of pole using 4 bolts as shown in desired orientation. Pull wires into fitter.
4. Wire fixture fitter using black to black, white to white and green to ground using UL approved connectors.
5. Install wiring compartment cover.
6. Install proper lamp.
7. Secure door.
8. Straighten fixture.
9. Tighten 1/2 - 13 socket head screws to yoke.

note: The tilting feature is for service only, not for aiming fixture.

MP PLATE NOTES
Provide plate as shown above or purchase plate from QL.
On existing poles with 2" tenon - use TPH adapter.