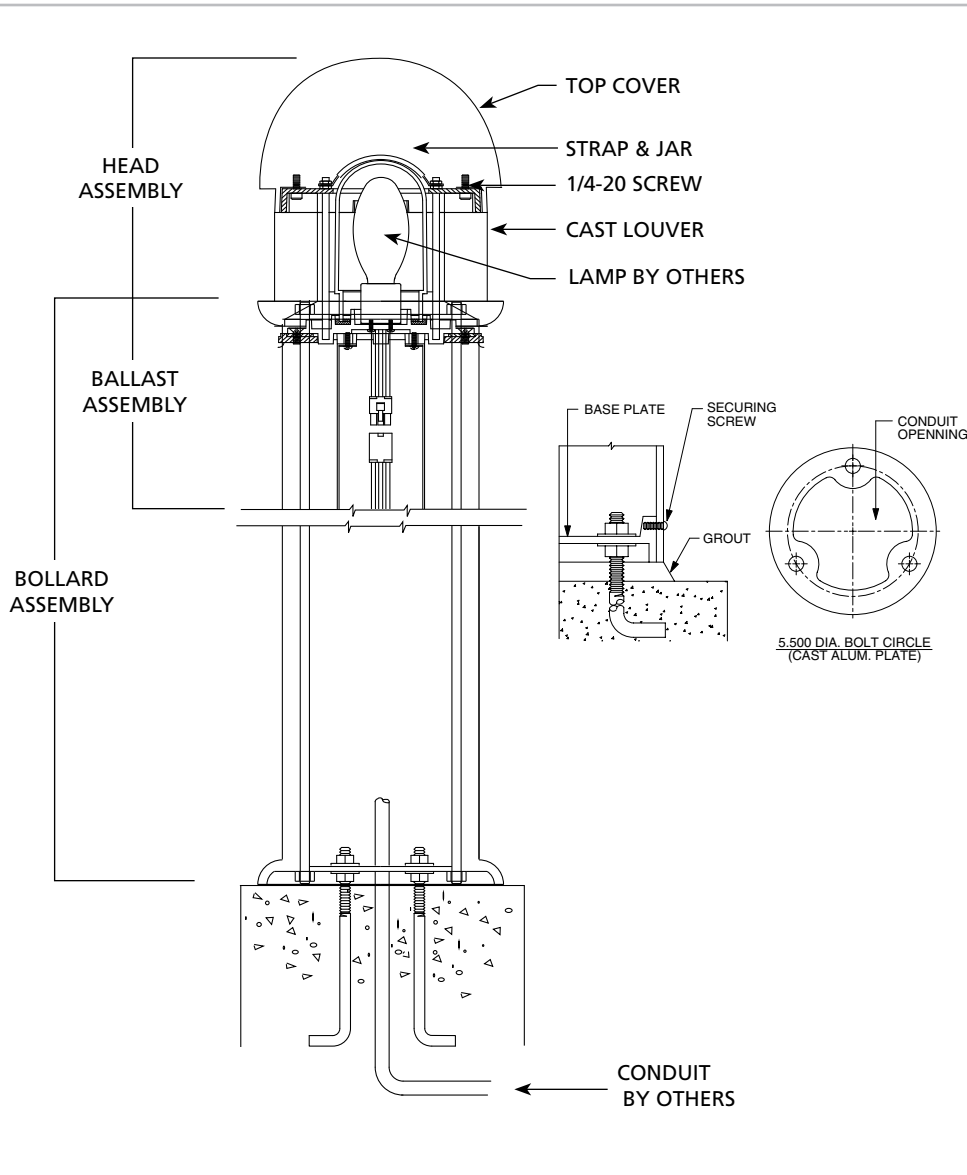
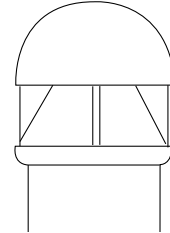


INSTALLATION SHEET

Safety, Warnings and Suggestions

- ¹ *Avoid* installing fixtures in locations where water collects and stands for prolonged periods.
- ² *Make* sure that electrical power is disconnected before any work is performed.
- ³ *All* wiring and installation should meet local, state and national electrical codes.



1. Prepare the site with adequate excavation and install the anchor bolts as per factory supplied template .

2. Remove the cast base from the bollard by removing the (securing screws). Install the base to anchor bolts and level.

3. Remove the top cover by loosening 2-screws from under the louver casting.

4. Remove the glass jar by loosening the metal strap at the same time remove the louver casting.

5. Remove the ballast assembly by removing (4)-10-24 screws.

6. Take the bollard body assembly and install over the cast base and secure the body with the 1/4-20 tamper proof screws.

5. Replace the ballast assembly and make power and ground connection using UL approved connectors. At this time install the lamp.

6. Replace the louver casting, the glass jar with strap and the top cover tighten all screws. **NOTE: MAKE SURE BEFORE INSTALLING THE COMPONENTS, THAT THE GASKETS ARE PROPERLY SEATED.**