

**Low Level Lighting**  
**Landscape Accent**  
**Walkways**  
**Parks**  
**Vandal Resistant**



**RCBX8**

**FCBX8**

**Specifications**



- HEAD ASSEMBLY** Sand-cast aluminum roof and die-cast aluminum louvers with corrosion-resistant polyester powder coat finish. Access for re-lamping is by stainless steel fasteners. Available in two styles: dome and flat.
- FIXTURE COLUMN** Extruded aluminum with corrosion-resistant polyester powder coat finish. Column is 8.0" in diameter with 0.125" wall thickness.
- FIXTURE BASE** Heavy-duty die-cast aluminum with four hole bolt pattern using 3/8-16 UNC x 8" galvanized steel anchor bolts and twist-lock feature for easy fixture mounting. Column is secured to base with stainless steel locking screw. Lamp is not included with the fixture and must be ordered separately.
- OPTIC ASSEMBLY** Tempered ribbed glass globe with high temperature, molded silicone gasket for positive sealing of the optical chamber. House side shield is supplied with each fixture (optional use).
- SOCKETS** Sockets for HID (Pulse Start Metal Halide and High Pressure Sodium) are all 4KV pulse rated high temperature porcelain. Sockets for 28W Compact Fluorescent are GX32D-3 high temperature plastic. Sockets for 42W Compact Fluorescent (CF) are GX24Q-4 high temperature plastic.
- BALLASTS** Ballasts for HID are high power factor core and coil, multi-tap. Ballasts for 28W CF units are core and coil, 120 VAC. Ballasts for 42W CF units are electronic, universal voltage 120-277 VAC, 50 or 60Hz.
- FINISH** Black (BLK), White (WHT), Green (GN), and Dark Bronze (DB) finishes are smooth, thermoset polyester powder-coat.
- WARRANTY** Mechanical, finish and electrical shall be covered by a limited 1-year warranty. See terms and conditions for details.
- CERTIFICATION** UL Listed to U.S. and Canadian safety standards for wet locations.



Some luminaires use fluorescent or high intensity discharge (HID) lamps that contain small amounts of mercury. Such lamps are labeled 'Contain Mercury' and/or with the symbol 'Hg'. Lamps that contain mercury must be disposed of in accordance with local requirements. Information regarding lamp recycle and disposal can be found at [www.lamprecycle.org](http://www.lamprecycle.org).

<b>PROJECT</b>
<b>FIXTURE TYPE</b>
<b>CATALOG#</b>

Quality Lighting  
 1611 Clovis R. Barker Rd.  
 San Marcos, Texas 78666-5177  
 Toll Free Phone (800) 545-1326 • FAX (866) 713-6002  
 www.qualitylighting.com  
 e-mail: Quality.Info@Philips.com

# RCBX8 FCBX8

**ORDERING EXAMPLE** RCBX8P-50-CL-120-42-BLK

## ORDERING INFORMATION

SERIES / SIZE / SOURCE-WATTAGE	DISTRIBUTION	VOLTAGE	HEIGHT	FINISH
<input type="text"/>	<input type="text"/>	<input type="text"/>	<input type="text"/>	<input type="text"/>
Pulse Start Metal Halide	CL	120	42	BLK
RCBX8P-50 / FCBX8P-50		208		WHT
RCBX8P-70 / FCBX8P-70		240		DB
RCBX8P-100 / FCBX8P-100		277		GN

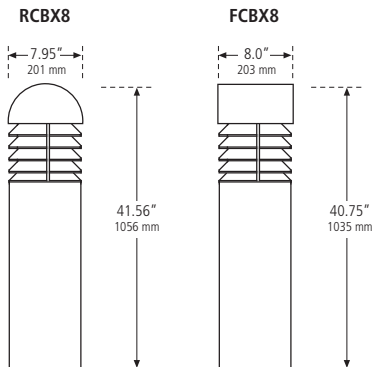
High Pressure Sodium  
 RCBX8S-70 / FCBX8S-70  
 RCBX8S-100 / FCBX8S-100

Compact Fluorescent  
 RCBX8CF-28 / FCBX8CF-28  
 RCBX8CF-42 / FCBX8CF-42

SERIES / SIZE / SOURCE-WATTAGE	DISTRIBUTION	VOLTAGE	HEIGHT	FINISH
Pulse Start Metal Halide	<input type="checkbox"/> CL Cast Louver Symmetrical	<input type="checkbox"/> 120 <input type="checkbox"/> 208 <input type="checkbox"/> 240 <input type="checkbox"/> 277	<input type="checkbox"/> 42 42"	<input type="checkbox"/> BLK Black <input type="checkbox"/> WHT White <input type="checkbox"/> DB Dark Bronze <input type="checkbox"/> GN Green
<input type="checkbox"/> RCBX8P-50 / FCBX8P-50 (E17) <input type="checkbox"/> RCBX8P-70 / FCBX8P-70 (E17) <input type="checkbox"/> RCBX8P-100 / FCBX8P-100 (E17)				
High Pressure Sodium				
<input type="checkbox"/> RCBX8S-70 / FCBX8S-70 (E17) <input type="checkbox"/> RCBX8S-100 / FCBX8S-100 (E17)				
Compact Fluorescent				
<input type="checkbox"/> RCBX8CF-28 / FCBX8CF-28 (PLC) 120V Only <input type="checkbox"/> RCBX8CF-42 / FCBX8CF-42 (PLC)				

NOTE: Fixture does NOT include lamp.

## DIMENSIONS



## MOUNTING TEMPLATE

