

Low Level Lighting
Landscape Accent
Walkways
Driveways
Parks



Specifications



- HEAD ASSEMBLY Cast aluminum. Access for re-lamping is by one stainless steel fastener.
- FIXTURE COLUMN Extruded aluminum, 8" diameter with 0.125" wall thickness.
- FIXTURE BASE Heavy-duty cast aluminum with four hole bolt pattern using 3/8"-16 UNC x 8" galvanized steel anchor bolts and twist-lock feature for easy fixture mounting. Column is secured to base with stainless steel locking screw.
- OPTIC ASSEMBLY Borosilicate Type V glass refractor with or without house side shield, borosilicate Type 3 glass refractor, conical specular aluminum reflector, white powder-coated louvers or specular louvers. Lamp is not included with the fixture and must be ordered separately.
- LENS Single-piece clear acrylic with high temperature silicone gaskets for positive sealing of optical chamber.
- SOCKETS Sockets for HID are all 4KV pulse rated high temperature porcelain. Sockets for compact fluorescent are high temperature plastic: 26 watt is GX24Q-3, 28 watt is GX32D-3, 32 watt is GX24Q-3, 42 watt is GX24Q-4.
- BALLAST Ballasts for HID are high power factor core and coil, multi-tap. Ballast for 28W compact fluorescent is core and coil, 120 VAC. Ballasts for 26/32/42W compact fluorescent are electronic, universal voltage 120-277V, 50 or 60Hz.
- FINISH Black (BLK), White (WHT), Dark Bronze (DB), Satin Aluminum (SA) and Green (GN) finishes are smooth, thermoset polyester powdercoat.
- WARRANTY Mechanical, finish and electrical shall be covered by a limited 1-year warranty. See terms and conditions for details.
- CERTIFICATION UL Listed to U.S. and Canadian safety standards for wet locations.



Some luminaires use fluorescent or high intensity discharge (HID) lamps that contain small amounts of mercury. Such lamps are labeled 'Contain Mercury' and/or with the symbol 'Hg'. Lamps that contain mercury must be disposed of in accordance with local requirements. Information regarding lamp recycle and disposal can be found at www.lamprecycle.org.

PROJECT
FIXTURE TYPE
CATALOG#

Quality Lighting
 1611 Clovis R. Barker Rd.
 San Marcos, Texas 78666-5177
 Toll Free Phone (800) 545-1326 • FAX (866) 713-6002
 www.qualitylighting.com
 e-mail: Quality.Info@Philips.com

PBRXD8

ORDERING EXAMPLE PBRXD8P-50-5G-120-24-HSS-BLK

ORDERING INFORMATION

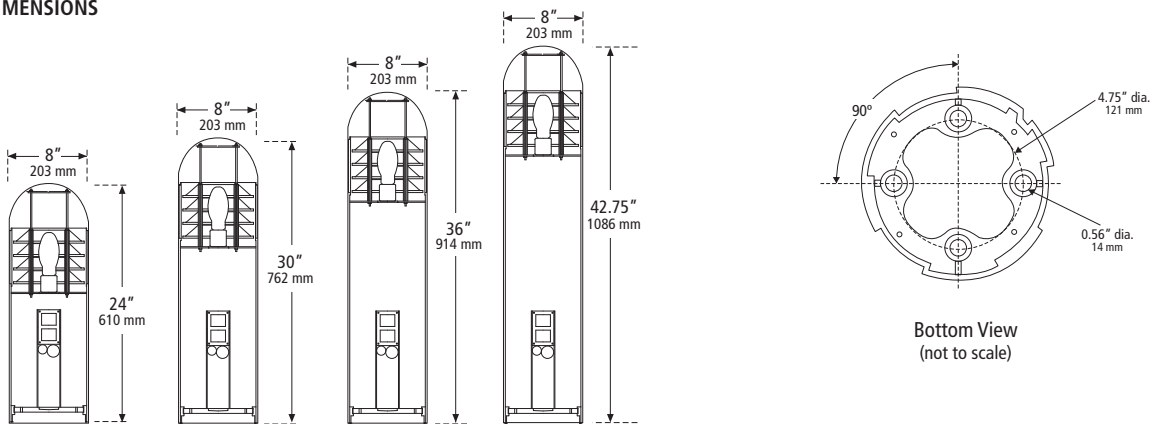
SERIES / SIZE / SOURCE-WATTAGE	DISTRIBUTION	VOLTAGE	HEIGHT	OPTIONS	FINISH
PBRXD8P-50 Pulse Start Metal Halide	V ¹	120	24	HSS ²	BLK
PBRXD8P-70	3G	208	30		WHT
PBRXD8P-100	5G	240	36		DB
PBRXD8S-35 High Pressure Sodium	LW	277	42		SA
PBRXD8S-50	LS				GN
PBRXD8S-70					
PBRXD8S-100					
PBRXD8CF-26 ¹ Compact Fluorescent					
PBRXD8CF-28 ¹					
PBRXD8CF-32 ¹					
PBRXD8CF-42 ¹					

SERIES / SIZE / SOURCE-WATTAGE	DISTRIBUTION	VOLTAGE	HEIGHT	OPTIONS	FINISH
Pulse Start Metal Halide <input type="checkbox"/> PBRXD8P-50 (E17) <small>120V or 277V Only</small> <input type="checkbox"/> PBRXD8P-70 (E17) <input type="checkbox"/> PBRXD8P-100 (E17)	<input type="checkbox"/> V ¹ Variform Reflector <input type="checkbox"/> 3G Type III Glass Refractor <input type="checkbox"/> 5G Type V Glass Refractor	<input type="checkbox"/> 120 <input type="checkbox"/> 208 <input type="checkbox"/> 240 <input type="checkbox"/> 277	<input type="checkbox"/> 24 24" <input type="checkbox"/> 30 30" <input type="checkbox"/> 36 36" <input type="checkbox"/> 42 42" <small>Standard</small>	<input type="checkbox"/> HSS ² House Side Shield <small>2) HSS available with Type V (5G) Refractor only.</small>	<input type="checkbox"/> BLK Black <input type="checkbox"/> WHT White <input type="checkbox"/> DB Dark Bronze <input type="checkbox"/> SA Satin Aluminum <input type="checkbox"/> GN Green
High Pressure Sodium <input type="checkbox"/> PBRXD8S-35 (E17) <small>120V Only</small> <input type="checkbox"/> PBRXD8S-50 (E17) <input type="checkbox"/> PBRXD8S-70 (E17) <input type="checkbox"/> PBRXD8S-100 (E17)	<input type="checkbox"/> LW Symmetrical White Louvers <input type="checkbox"/> LS Symmetrical Specular Louvers				
Compact Fluorescent <input type="checkbox"/> PBRXD8CF-26 ¹ (PLT GX24Q-3) <input type="checkbox"/> PBRXD8CF-28 ¹ (PLC28 GX32D-3) <small>120V Only</small> <input type="checkbox"/> PBRXD8CF-32 ¹ (PLT GX24Q-3) <input type="checkbox"/> PBRXD8CF-42 ¹ (PLT GX24Q-4)					

1) Variform Reflector (V) not available for CF units.

NOTE: Fixture does NOT include lamp.

DIMENSIONS



NOTE: Louver optics shown.