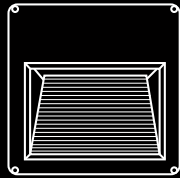


Quality Lighting™



ACCENT/PATHWAY


STX4 Series



ORDERING EXAMPLE STX4C-39-RS-120-P-DB

ORDERING INFORMATION

SERIES/SOURCE-WATTAGE	DISTRIBUTION	VOLTAGE	OPTIONS	FINISH	ACCESSORIES
STX4P-50 Pulse Start Metal Halide	RS	120	LH ¹	DB	MOUNTING BMAKM ³ BMAKNS ³ BMAKES ³ HOUSING ONLY STX4HO ³
STX4P-70		208	P ²	BLK	
STX4PT-70 (E)		240		WHT	
STX4P-100		277		RAL (*)	
STX4C-39 Ceramic Metal Halide		347			
STX4C-70					
STX4S-35 High Pressure Sodium					
STX4S-50					
STX4S-70					
STX4S-100					
STX4CF-32 Compact Fluorescent					
STX4CF-42					

SERIES/SOURCE-WATTAGE	DISTRIBUTION	VOLTAGE	OPTIONS	FINISH
Pulse Start Metal Halide <input type="checkbox"/> STX4P-50 (E17) <input type="checkbox"/> STX4P-70 (E17) (E) <input type="checkbox"/> STX4P-100 (E17)	<input type="checkbox"/> RS Recessed Scoop	<input type="checkbox"/> 120 <input type="checkbox"/> 208 <input type="checkbox"/> 240 <input type="checkbox"/> 277 <input type="checkbox"/> 347	<input type="checkbox"/> LH ¹ Less Housing <input type="checkbox"/> P ² Thermal Protector  Required for drywall, plaster, wood and other non-masonry installations with exception of fluorescent lamps. Unit is mounted from inside housing and is field replaceable without removing housing.	<input type="checkbox"/> DB Dark Bronze Standard <input type="checkbox"/> BLK Black <input type="checkbox"/> WHT White <input type="checkbox"/> RAL(*) Specify Custom RAL Color Number Consult Factory
Ceramic Metal Halide <input type="checkbox"/> STX4C-39 (T6) <input type="checkbox"/> STX4C-70 (T6)				
High Pressure Sodium <input type="checkbox"/> STX4S-35 (E17) <input type="checkbox"/> STX4S-50 (E17) <input type="checkbox"/> STX4S-70 (E17) <input type="checkbox"/> STX4S-100 (E17)				
Compact Fluorescent <input type="checkbox"/> STX4CF-32 (PLT-32) <input type="checkbox"/> STX4CF-42 (PLT-42)				

NOTE: Fixture does NOT include lamp.

NOTES:
 1. Less Housing is required for pre-ship of Housing Only (STX4HO).
 2. Thermal Protection is required for interior or insulated walls. Not required for fluorescent.
 3. Must be ordered separately and field installed.

ACCESSORIES

MOUNTING

BMAKM³ Masonry Mounting Kit



BMAKNS³ New Stud Wall Mounting Kit



BMAKES³ Existing Stud Wall Mounting Kit

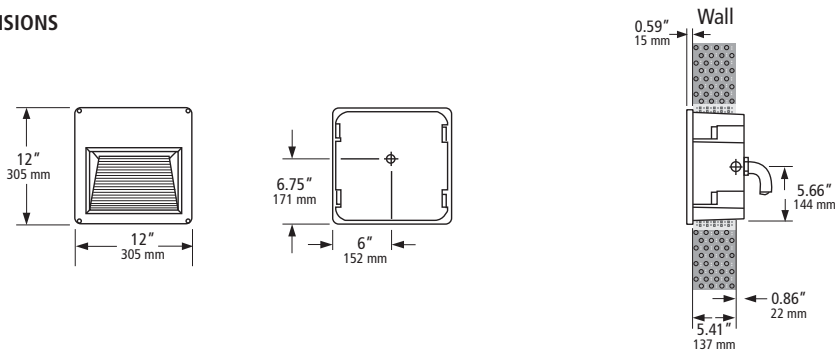


HOUSING ONLY

STX4HO³ For pre-ship.

NOTE: Brackets and hardware only. Housing included with fixture or pre-ship only. Must be ordered separately and field installed.

DIMENSIONS



SPECIFICATIONS



HOUSING	Semi-recessed, water-tight, die-cast, copper-free aluminum with glass lens. Hinges allow for easy re-lamping.
FASTENERS	Captive, black oxide stainless steel, tamper resistant.
GASKET	Single piece molded silicone.
SOCKET	HID models, porcelain socket is medium base, 4KV pulse rated. Compact fluorescent model, 32 watt socket is GX24q-3, 42 watt socket is GX24q-4. T6 lamp is bi-pin base.
REFLECTOR	Specular aluminum segmented reflector assembly.
LENS FRAME	Frosted tempered glass lens with silicone gasketing.
MOUNTING ASSEMBLY	Hardware and template for concrete pour is supplied. Mounting kits for masonry (BMA1) and new (BMA2) or existing stud walls (BMA3) may be ordered as accessories.
ELECTRICAL ASSEMBLY	Electrical components are mounted on a removable galvanized steel ballast tray, factory wired with quick disconnects for easy replacement. Ballasts have power factors greater than 90%. Metal halide ballasts are capable of starting at -20° F or -30° C, HPS ballasts at -40° F or -40° C. All components are UL and CSA Listed or cUL recognized and 100% factory tested.
BALLAST	Ballast is factory wired and tested. HPF, 120/208/240/277 volts.
WIRING COMPARTMENT	One 0.5" NPT conduit tap on the back, two 0.75" NPT taps on the bottom and one 0.75" NPT tap on each side for easy through-wiring.
FINISH	Smooth, Thermoset polyester powdercoat, laboratory tested for superior weatherability and fade resistance in accordance with ASTM B-117-64 and ANSI/ASTM G53-77 specifications. Available in Black (BLK), White (WHT), Dark Bronze (DB) or Custom Color (RAL).
WARRANTY	Mechanical, finish and electrical shall be covered by a limited 1-year warranty. See terms and conditions for details.
CERTIFICATION	UL Listed to U.S. and Canadian safety standards for wet locations. Fixture manufacturer shall employ a quality program that is audited to ISO 9001:2000 standards.



Some luminaires use fluorescent or high intensity discharge (HID) lamps that contain small amounts of mercury. Such lamps are labeled 'Contain Mercury' and/or with the symbol 'Hg'. Lamps that contain mercury must be disposed of in accordance with local requirements. Information regarding lamp recycle and disposal can be found at www.lamprecycle.org.

Quality Lighting™

Quality Lighting is a Philips group brand

1611 Clovis Barker Road
San Marcos, Texas 78640
Toll Free Phone (800) 545-1326
FAX (866) 713-6002
www.qualitylighting.com
e-mail: Quality.Info@Philips.com

Quality Lighting reserves the right to change specifications and dimensions without notice. Lamp and electrical specifications / availability subject to change by manufacturer without notice. ©2009 Philips Group

PT#: QLBR0152A0809