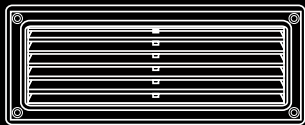


Quality Lighting™



ACCENT/PATHWAY


STX1 Series



ORDERING EXAMPLE STX1CF-9-HL-120-P-BLK

ORDERING INFORMATION

SERIES/SOURCE/WATTAGE	DISTRIBUTION	VOLTAGE	OPTIONS	FINISH	ACCESSORIES
STX1CF-9 Compact Fluorescent	HL	120	LH ³	DB	MOUNTING BMAKM ⁴ BMAKNS ⁴ BMAKES ⁴
STX1CF-13	HF ¹	277	p ²	BLK	
STX1CF-18	VL			WHT	
STX1LV-18 Low Voltage		120/12			HOUSING ONLY STX1HO ⁴

SERIES/SOURCE/ WATTAGE	DISTRIBUTION	VOLTAGE	OPTIONS	FINISH
Compact Fluorescent <input type="checkbox"/> STX1CF-9 (PLS9) <input type="checkbox"/> STX1CF-13 (PLC13) <input type="checkbox"/> STX1CF-18 (PLC18)	<input type="checkbox"/> HL Horizontal Louver <input type="checkbox"/> HF ¹ Horizontal Frosted <input type="checkbox"/> VL Vertical Louver	<input type="checkbox"/> 120 <input type="checkbox"/> 277 <input type="checkbox"/> 120/12 LV Only.	<input type="checkbox"/> LH ³ Less Housing <input type="checkbox"/> P ² Thermal Protector  Required for drywall, plaster, wood and other non-masonry installations with exception of fluorescent lamps. Unit is mounted from inside housing and is field replaceable without removing housing.	<input type="checkbox"/> DB Dark Bronze Standard <input type="checkbox"/> BLK Black <input type="checkbox"/> WHT White

NOTES:
 1. Only available in Black or Dark Bronze Finishes.
 2. Thermal Protection is required for interior or insulated walls. Not required for fluorescent.
 3. Less Housing is required for pre-ship of Housing Only (STX1HO to be ordered separately).
 4. Must be ordered separately and field installed.

NOTE: Fixture does NOT Include lamp.

ACCESSORIES

MOUNTING

BMAKM⁴ Masonry Mounting Kit



BMAKNS⁴ New Stud Wall Mounting Kit



BMAKES⁴ Existing Stud Wall Mounting Kit

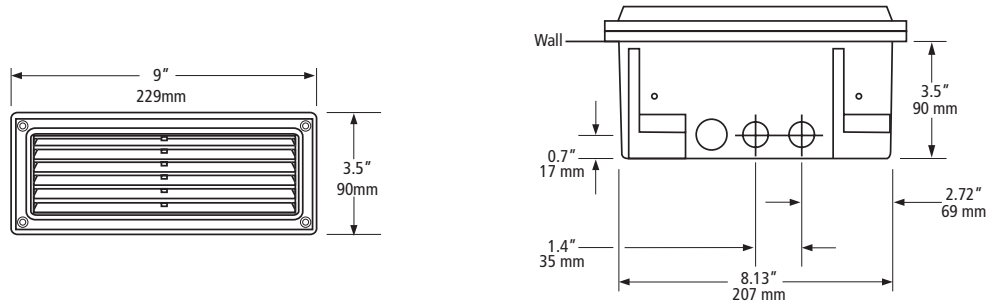


HOUSING ONLY

STX1HO⁴ Fixture Housing for pre-ship.

NOTE: Brackets and hardware only. Housing included with fixture or STX1HO option only. Must be ordered separately and Field Installed.

DIMENSIONS



SPECIFICATIONS



ISO 9001
Certified

- HOUSING** Recessed, water-tight, die-cast, copper-free aluminum for corrosion resistance in concrete applications. Includes four 0.5" NPT conduit entries and ample wiring compartment for through-wiring.
- TRIM RING** Die-cast, copper-free aluminum for superior corrosion resistance. Silicone gasket ensures positive, watertight seal.
- FACE PLATE** Horizontal and vertical louver assemblies die-cast aluminum with 45° cutoff. Lens frame for frosted lens is color-impregnated polycarbonate with finish to match fixture.
- LENS** Louvered fixtures have clear, tempered glass. Frosted lens is opal UV-stabilized polycarbonate in front of tempered glass.
- FASTENERS** Tamper-resistant stainless steel.
- ELECTRICAL** Sockets are pre-wired with high-temperature #18 AWG wire. Electrical components are mounted to a removable tray with quick disconnect for easy installation after housing is installed.
- BALLAST** All compact fluorescent ballasts are normal power factor, Class B core and coil, 120 VAC, rated for 0° F starting temperature.
- STEP-DOWN TRANSFORMER** 120:12 core and coil isolated primary to secondary. 95% efficiency rating, sound rating "A."
- SOCKETS** 9 watt compact fluorescent socket is G23. 13 watt fluorescent socket is GX23-2. 18 watt fluorescent socket is G24Q-2. All low voltage sockets are single contact bayonet base.
- THERMAL PROTECTOR** Required for non-masonry low voltage installations, must be ordered as an option (add suffix "P" to catalog number). Unit is mounted from inside the housing and is field replaceable without removing fixture from housing. Not required or offered for masonry installations.
- FINISH** Housing, Trim-Ring and face Plate finished in smooth, thermoset polyester powder-coat, available in Black (BLK), White (WHT) or Dark Bronze (DB).
- WARRANTY** Mechanical, finish and electrical shall be covered by a limited 1-year warranty. See terms and conditions for details.
- CERTIFICATION** UL Listed to U.S. and Canadian safety standards for wet locations.
- ADA** This fixture is in compliance with the Americans with Disabilities Act.



Some luminaires use fluorescent or high intensity discharge (HID) lamps that contain small amounts of mercury. Such lamps are labeled 'Contain Mercury' and/or with the symbol 'Hg'. Lamps that contain mercury must be disposed of in accordance with local requirements. Information regarding lamp recycle and disposal can be found at www.lamprecycle.org.

Quality Lighting™

Quality Lighting is a Philips group brand

1611 Clovis Barker Road
San Marcos, Texas 78640
Toll Free Phone (800) 545-1326
FAX (866) 713-6002
www.qualitylighting.com
e-mail: Quality.Info@Philips.com

Quality Lighting reserves the right to change specifications and dimensions without notice. Lamp and electrical specifications / availability subject to change by manufacturer without notice. ©2009 Philips Group

PT#: QLBR0130A0809