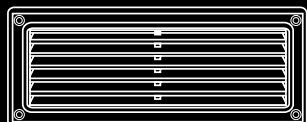
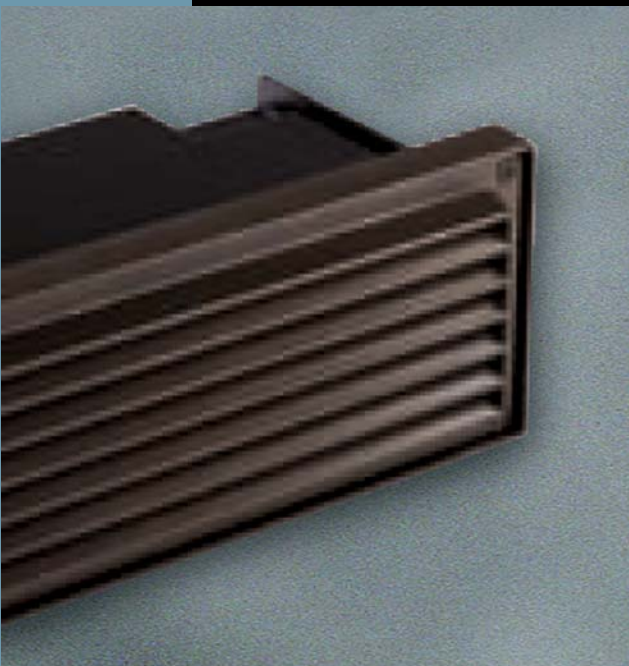


Quality Lighting™



ACCENT/PATHWAY

STX1 LED-5 Series



ORDERING EXAMPLE STX1LED-5-HL-120-DB

ORDERING INFORMATION

| SERIES/SOURCE-# of LEDs | DISTRIBUTION | VOLTAGE | OPTIONS | FINISH | ACCESSORIES |
|-------------------------|-----------------------------|---------|-----------------|------------------|--|
| STX1LED-5 | HL HF ¹ VL | 120 | LH ² | DB BLK WHT | MOUNTING BMAKM ³ BMAKNS ³ BMAKES ³ HOUSING ONLY STX1LHO ³ |

| SERIES/SOURCE-# of LEDs | DISTRIBUTION | VOLTAGE | OPTIONS | FINISH |
|------------------------------------|---|------------------------------|---|--|
| <input type="checkbox"/> STX1LED-5 | <input type="checkbox"/> HL Horizontal Louver <input type="checkbox"/> HF ¹ Horizontal Frosted <input type="checkbox"/> VL Vertical Louver | <input type="checkbox"/> 120 | <input type="checkbox"/> LH ² Less Housing | <input type="checkbox"/> DB Dark Bronze Standard <input type="checkbox"/> BLK Black <input type="checkbox"/> WHT White |

NOTES:
 1. Only available in Black or Dark Bronze Finishes.
 2. Less Housing is required for pre-ship of Housing Only (STX1LHO).
 3. Must be ordered separately and field installed.

ACCESSORIES

MOUNTING

BMAKM³ Masonry Mounting Kit



BMAKNS³ New Stud Wall Mounting Kit



BMAKES³ Existing Stud Wall Mounting Kit

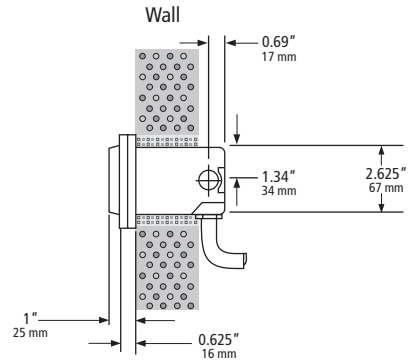
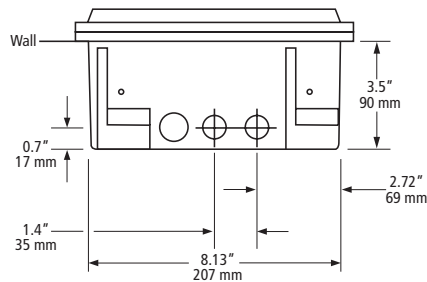
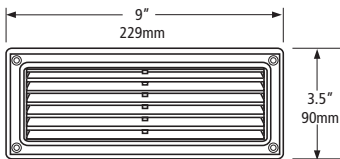


HOUSING ONLY

STX1LHO³ Fixture housing for pre-ship.

NOTE: Brackets and hardware only. Housing included with fixture or STX1LHO option only. Must be ordered separately and Field Installed.

DIMENSIONS



SPECIFICATIONS



ISO 9001
Certified

- HOUSING** Recessed, water-tight, die-cast, copper-free aluminum for corrosion resistance in concrete applications. Includes two 0.5" NPT conduit entries and ample wiring compartment for through-wiring.
- TRIM RING** Die-cast, copper-free aluminum for superior corrosion resistance. Silicone gasket ensures positive, watertight seal.
- FACE PLATE** Horizontal and vertical louver assemblies die-cast aluminum with 35° full cutoff. Lens frame for frosted lens is color-impregnated polycarbonate with finish to match fixture.
- LENS** Louvered fixtures have clear, tempered glass. Frosted lens is opal UV-stabilized polycarbonate in front of tempered glass.
- LEDs** Luxeon® white brightness (HB) LEDs. Deliver 70% lumen maintenance at 50,000 hours. Cool white (5500K nominal).
- FASTENERS** Tamper-resistant stainless steel.
- ELECTRICAL** 13.5 total watts. Input voltage range of 108-132VAC.
- POWERED BY ADVANCE™** Integral Advance™ electronic LED driver with integral surge protector. ULClass 2. -40°C/F minimum starting temperature. Pre-wired with #18 AWG wire. Electrical components are mounted to a removable tray for easy installation after housing is installed.
- FINISH** Housing, Trim-Ring and face Plate finished in smooth, thermoset polyester powder-coat, available in Black (BLK), White (WHT) or Dark Bronze (DB).
- WARRANTY** Mechanical, finish and electrical shall be covered by a limited 1-year warranty. See terms and conditions for details.
- CERTIFICATION** UL Listed to U.S. safety standards for wet locations (outdoors) and for indoors. cUL Listed to Canadian safety standards for wet locations (outdoors).
- ADA** This fixture is in compliance with the Americans with Disabilities Act.
- IP66** Dust-tight and sealed against direct jets of water.

| CCT, nom. | Input Voltage Range | Input Draw, max. | Power Consumption | Luminaire Efficacy* | Total Lumens | Starting Temp.,min |
|-----------|---------------------|------------------|-------------------|---------------------|--------------|--------------------|
| 5500 K | 108-132 VAC | 0.14 A | 13.5W | 14.2 LPW | 191 | -40° C/F |

* Efficacy and Total Lumens include losses due to driver, collimating optics and/or lens/diffuser.



Some luminaires use fluorescent or high intensity discharge (HID) lamps that contain small amounts of mercury. Such lamps are labeled 'Contain Mercury' and/or with the symbol 'Hg'. Lamps that contain mercury must be disposed of in accordance with local requirements. Information regarding lamp recycle and disposal can be found at www.lamprecycle.org.

Quality Lighting™

Quality Lighting is a Philips group brand

1611 Clovis Barker Road
San Marcos, Texas 78640
Toll Free Phone (800) 545-1326
FAX (866) 713-6002
www.qualitylighting.com
e-mail: Quality.Info@Philips.com

Quality Lighting reserves the right to change specifications and dimensions without notice. Lamp and electrical specifications / availability subject to change by manufacturer without notice. ©2009 Philips Group

PT#: QLBR0150A0809