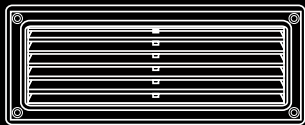
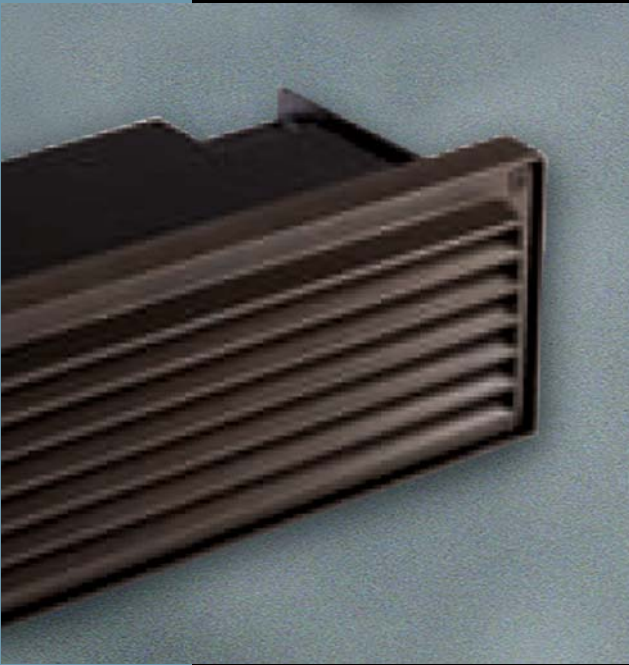
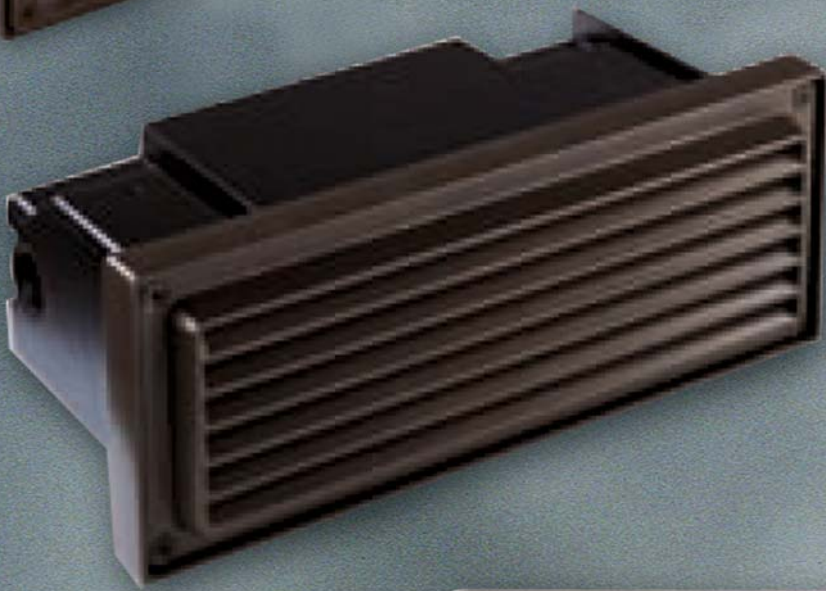


*Quality Lighting™*



ACCENT/PATHWAY

STX1 LED-3 Series



ORDERING EXAMPLE STX1LED-3-HL-120-DB

ORDERING INFORMATION

SERIES/SOURCE-# of LEDs	DISTRIBUTION	VOLTAGE	OPTIONS	FINISH	ACCESSORIES
STX1LED-3	HL HF <sup>1</sup> VL	120	LH <sup>2</sup>	DB BLK WHT	<b>MOUNTING</b> BMAKM <sup>3</sup> BMAKNS <sup>3</sup> BMAKES <sup>3</sup> <b>HOUSING ONLY</b> STX1LHO <sup>3</sup>

SERIES/SOURCE-# of LEDs	DISTRIBUTION	VOLTAGE	OPTIONS	FINISH
<input type="checkbox"/> STX1LED-3	<input type="checkbox"/> HL Horizontal Louver <input type="checkbox"/> HF <sup>1</sup> Horizontal Frosted <input type="checkbox"/> VL Vertical Louver	<input type="checkbox"/> 120	<input type="checkbox"/> LH <sup>2</sup> Less Housing	<input type="checkbox"/> DB Dark Bronze Standard <input type="checkbox"/> BLK Black <input type="checkbox"/> WHT White

NOTES:  
 1. Only available in Black or Dark Bronze Finishes.  
 2. Less Housing is required for pre-ship of Housing Only (STX1LHO).  
 3. Must be ordered separately and field installed.

ACCESSORIES

MOUNTING

BMAKM<sup>3</sup> Masonry Mounting Kit



BMAKNS<sup>3</sup> New Stud Wall Mounting Kit



BMAKES<sup>3</sup> Existing Stud Wall Mounting Kit

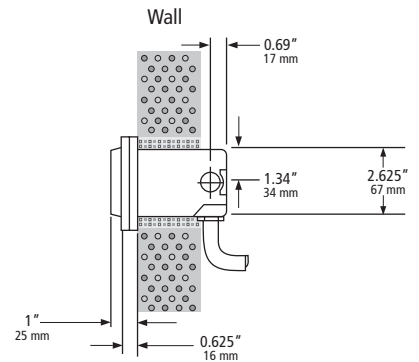
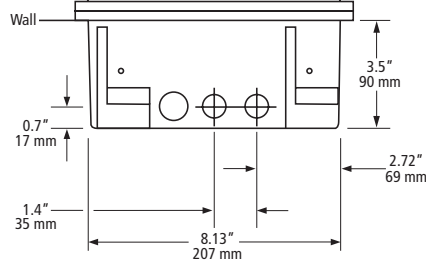
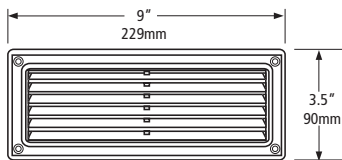


HOUSING ONLY

STX1LHO<sup>3</sup> Fixture housing for pre-ship.

NOTE: Brackets and hardware only. Housing included with fixture or STX1LHO option only. Must be ordered separately and Field Installed.

DIMENSIONS



# SPECIFICATIONS



- HOUSING** Recessed, water-tight, die-cast, copper-free aluminum for corrosion resistance in concrete applications. Includes two 0.5" NPT conduit entries and ample wiring compartment for through-wiring.
- TRIM RING** Die-cast, copper-free aluminum for superior corrosion resistance. Silicone gasket ensures positive, watertight seal.
- FACE PLATE** Horizontal and vertical louver assemblies die-cast aluminum with 35° full cutoff. Lens frame for frosted lens is color-impregnated polycarbonate with finish to match fixture.
- LENS** Louvered fixtures have clear, tempered glass. Frosted lens is opal UV-stabilized polycarbonate in front of tempered glass.
- LEDs** Luxeon® white brightness (HB) LEDs. Deliver 70% lumen maintenance at 50,000 hours. Cool white (5500K nominal).
- FASTENERS** Tamper-resistant stainless steel.
- ELECTRICAL** 10.4 total watts. Input voltage range of 108-132 VAC.
- POWERED BY ADVANCE™** Integral Advance™ 120V 60Hz electronic LED driver with integral surge protector. ULClass 2. -40° C/F minimum starting temperature. Pre-wired with #18 AWG wire. Electrical components are mounted to a removable tray for easy installation after housing is installed.
- FINISH** Housing, Trim Ring and face Plate finished in smooth, thermoset polyester powdercoat, available in Black (BLK), White (WHT) or Dark Bronze (DB).
- WARRANTY** Mechanical, finish and electrical shall be covered by a limited 1-year warranty. See terms and conditions for details.
- CERTIFICATION** UL Listed to U.S. safety standards for wet locations (outdoors) and for indoors. cUL Listed to Canadian safety standards for wet locations (outdoors).
- ADA** This fixture is in compliance with the Americans with Disabilities Act.
- IP66** Dust-tight and sealed against direct jets of water.

CCT, nom.	Input Voltage Range	Input Draw, max.	Power Consumption	Luminaire Efficacy*	Total Lumens*	Starting Temp.,min
5500 K	108-132 VAC	0.14 A	10.4 W	11.1 LPW	115	-40° C/F
3000 K	108-132 VAC	0.14 A	10.4 W	7.5 LPW	78	-40° C/F

\* Efficacy and Total Lumens include losses due to driver, collimating optics and/or lens/diffuser.



Some luminaires use fluorescent or high intensity discharge (HID) lamps that contain small amounts of mercury. Such lamps are labeled 'Contain Mercury' and/or with the symbol 'Hg'. Lamps that contain mercury must be disposed of in accordance with local requirements. Information regarding lamp recycle and disposal can be found at [www.lamprecycle.org](http://www.lamprecycle.org).

*Quality Lighting™*

Quality Lighting is a Philips group brand

1611 Clovis Barker Road  
 San Marcos, Texas 78640  
 Toll Free Phone (800) 545-1326  
 FAX (866) 713-6002  
[www.qualitylighting.com](http://www.qualitylighting.com)  
 e-mail: [Quality.Info@Philips.com](mailto:Quality.Info@Philips.com)

Quality Lighting reserves the right to change specifications and dimensions without notice. Lamp and electrical specifications / availability subject to change by manufacturer without notice. ©2009 Philips Group

PT#: QLBR0154A0809