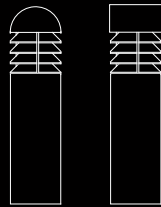


Quality Lighting™



ACCENT/PATHWAY

RCBX8 FCBX8 Series



ORDERING EXAMPLE RCBX8P-50-CL-120-42-BLK

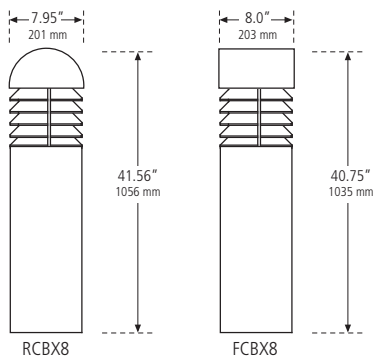
ORDERING INFORMATION

SERIES / SIZE / SOURCE-WATTAGE	DISTRIBUTION	VOLTAGE	HEIGHT	FINISH
Pulse Start Metal Halide RCBX8P-50 / FCBX8P-50 RCBX8P-70 / FCBX8P-70 RCBX8P-100 / FCBX8P-100	CL	120 208 240 277	42	BLK WHT DB GN
High Pressure Sodium RCBX8S-70 / FCBX8S-70 RCBX8S-100 / FCBX8S-100				
Compact Fluorescent RCBX8CF-28 / FCBX8CF-28 RCBX8CF-42 / FCBX8CF-42				

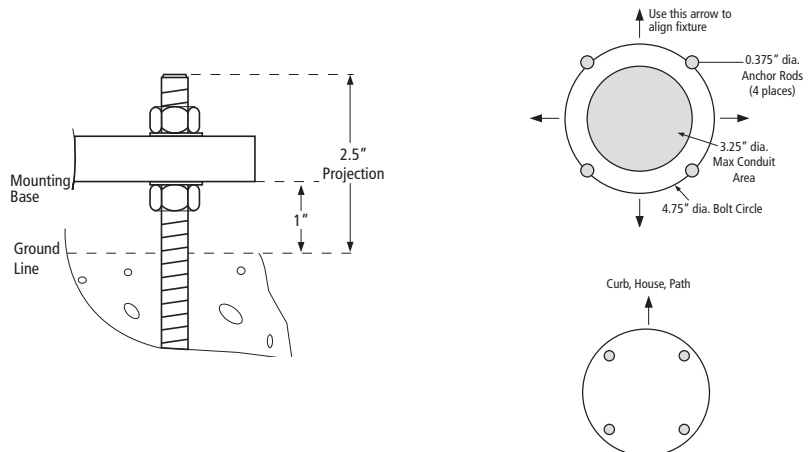
SERIES / SIZE / SOURCE-WATTAGE	DISTRIBUTION	VOLTAGE	HEIGHT	FINISH
Pulse Start Metal Halide <input type="checkbox"/> RCBX8P-50 / FCBX8P-50 (E17) <input type="checkbox"/> RCBX8P-70 / FCBX8P-70 (E17) <input type="checkbox"/> RCBX8P-100 / FCBX8P-100 (E17)	<input type="checkbox"/> CL Cast Louver Symmetrical	<input type="checkbox"/> 120 <input type="checkbox"/> 208 <input type="checkbox"/> 240 <input type="checkbox"/> 277	<input type="checkbox"/> 42 42"	<input type="checkbox"/> BLK Black <input type="checkbox"/> WHT White <input type="checkbox"/> DB Dark Bronze <input type="checkbox"/> GN Green
High Pressure Sodium <input type="checkbox"/> RCBX8S-70 / FCBX8S-70 (E17) <input type="checkbox"/> RCBX8S-100 / FCBX8S-100 (E17)				
Compact Fluorescent <input type="checkbox"/> RCBX8CF-28 / FCBX8CF-28 (PLC) 120V Only <input type="checkbox"/> RCBX8CF-42 / FCBX8CF-42 (PLC)				

NOTE: Fixture does NOT include lamp.

DIMENSIONS



MOUNTING TEMPLATE



SPECIFICATIONS



ISO 9001
Certified



HEAD ASSEMBLY	Sand-cast aluminum roof and die-cast aluminum louvers with corrosion-resistant polyester powder coat finish. Access for re-lamping is by stainless steel fasteners. Available in two styles: dome and flat.
FIXTURE COLUMN	Extruded aluminum with corrosion-resistant polyester powder coat finish. Column is 8.0" in diameter with 0.125" wall thickness.
FIXTURE BASE	Heavy-duty die-cast aluminum with four hole bolt pattern using 3/8-16 UNC x 8" galvanized steel anchor bolts and twist-lock feature for easy fixture mounting. Column is secured to base with stainless steel locking screw. Lamp is not included with the fixture and must be ordered separately.
OPTIC ASSEMBLY	Tempered ribbed glass globe with high temperature, molded silicone gasket for positive sealing of the optical chamber. House side shield is supplied with each fixture (optional use).
SOCKETS	Sockets for HID (Pulse Start Metal Halide and High Pressure Sodium) are all 4KV pulse rated high temperature porcelain. Sockets for 28W Compact Fluorescent are GX32D-3 high temperature plastic. Sockets for 42W Compact Fluorescent (CF) are GX24Q-4 high temperature plastic.
BALLASTS	Ballasts for HID are high power factor core and coil, multi-tap. Ballasts for 28W CF units are core and coil, 120 VAC. Ballasts for 42W CF units are electronic, universal voltage 120-277 VAC, 50 or 60Hz.
FINISH	Black (BLK), White (WHT), Green (GN), and Dark Bronze (DB) finishes are smooth, thermoset polyester powder-coat.
WARRANTY	Mechanical, finish and electrical shall be covered by a limited 1-year warranty. See terms and conditions for details.
CERTIFICATION	UL Listed to U.S. and Canadian safety standards for wet locations.



Some luminaires use fluorescent or high intensity discharge (HID) lamps that contain small amounts of mercury. Such lamps are labeled 'Contain Mercury' and/or with the symbol 'Hg'. Lamps that contain mercury must be disposed of in accordance with local requirements. Information regarding lamp recycle and disposal can be found at www.lamprecycle.org.

Quality Lighting[™]

Quality Lighting is a Philips group brand

1611 Clovis Barker Road
San Marcos, Texas 78640
Toll Free Phone (800) 545-1326
FAX (866) 713-6002
www.qualitylighting.com
e-mail: Quality.Info@Philips.com

Quality Lighting reserves the right to change specifications and dimensions without notice. Lamp and electrical specifications / availability subject to change by manufacturer without notice.
©2010 Philips Group. All rights reserved

PT#: QLBR0135B0510